

# Luna



## Table \

A highly accessible and functional series, easily accessible from all 4 sides because of the leg in the middle. The ideal table for wheelchair users and people with recliner chairs with castors. Also very easy to clean around and keep neat.

Wide choice of finishes and HPL colors for the tabletop, which will make the table blend in perfectly with the interior and ensure it matches all other furniture. The ideal table for common areas, cafeterias or bedroom.

## What makes the table Luna so unique? \

- \ \ Optimal safety: extremely stable and robust when leaning on the table for stepping up
- \ \ 360° wheelchair accessible
- \ \ Several shapes and combinations of tabletop and floor plate possible
- \ \ Rounded corners of the table top
- \ \ Floor plate close to the ground for wheelchairs, but with sufficient ground clearance to allow the floor plate to breathe

Subject to change without notice, latest update 202602v1, all images shown are for illustration purposes only

## TABLE LEG

Round steel column, black epoxy coated.

Dimensions according to tabletop size: 76 mm diameter with 2 mm wall thickness for tabletops up to and including 90 cm diameter or 90x90 cm. Tabletops from 90 cm diameter or 90x90 cm have a table leg with 102 mm diameter and 2 mm wall thickness.

## FLOOR PLATE

### ROUND FLOOR PLATE



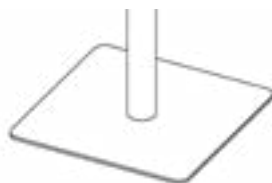
Black steel, epoxy coated, 8 mm thick. Fitted with teflon floor glides that allow the floor plate to slide easily over the floor. The glides are also very thin, making it easy to ride onto the floor plate with a wheelchair while leaving space to prevent direct contact between the floor plate and the floor. Dimensions according to tabletop: 52 mm diameter for tabletops up to and including 90 cm diameter or 90x90 cm. 70 mm diameter for tabletops larger than 90 cm diameter or 90x90 cm.

### CROSS-SHAPED FLOOR PLATE



Black steel, epoxy coated, 8 mm thick. Fitted with teflon floor glides that allow the floor plate to slide easily over the floor. The glides are also very thin, making it easy to ride onto the floor plate with a wheelchair while leaving space to prevent direct contact between the floor plate and the floor. Dimensions according to tabletop: 57x57 mm for tabletops smaller than 90 cm diameter or 90x90 cm. 70x70 mm for tabletops from 90 cm diameter or 90x90 cm or above.

### SQUARE FLOOR PLATE



Black steel, epoxy coated, 8 mm thick. Square with rounded corners, radius 30 mm. Fitted with teflon floor glides that allow the floor plate to slide easily over the floor. The glides are also very thin, making it easy to ride onto the floor plate with a wheelchair while leaving space to prevent direct contact between the floor plate and the floor. Dimensions according to tabletop: 52x52 mm for tabletops up to and including 90 cm diameter or 90x90 cm. 70x70 mm for tabletops larger than 90 cm diameter or 90x90 cm.

Subject to change without notice, latest update 202602v1, all images shown are for illustration purposes only

## TABLETOP

### SQUARE TABLETOP



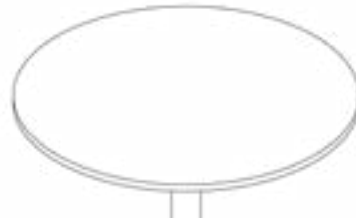
**Tabletop type** Chipboard

**Tabletop thickness** 20 or 30 mm

**Tabletop structure** HPL top surface. Chipboard core with white cover layer underneath. Matching edging in rounded ABS.

**Corners** Tabletop with four rounded corners, radius 40 mm.

### ROUND TABLETOP



**Tabletop type** Chipboard

**Tabletop thickness** 20 or 30 mm

**Tabletop structure** HPL top surface. Chipboard core with white cover layer underneath. Matching edging in rounded ABS.

### PEBBLE-SHAPED TABLETOP



**Tabletop type** Chipboard

**Tabletop thickness** 20 or 30 mm

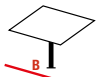
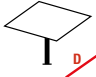
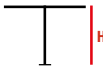




**Tabletop structure** HPL top surface. Chipboard core with white cover layer underneath. Matching edging in rounded ABS.

## TABLE CONSTRUCTION

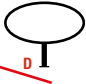
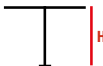




The central post is screwed to the tabletop through a metal top plate. The top plate is made of black epoxy coated steel, 45 mm diameter and 6 mm thick. The top plate is bolted to the column leg and screwed to the bottom of the tabletop. Resting on the floor on a metal floor plate with felt glides (round, square or cross-shaped), also bolted to the column.

Subject to change without notice, latest update 202602v1, all images shown are for illustration purposes only



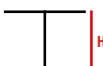




## DIMENSIONS

TYPE							
<b>Luna square</b>	80	80	75	72	29-40	yes	★ ★ ★
	90	90	75	72	32-44	yes	★ ★ ★
	100	100	75	72	39-63	yes	★ ★ ★
	120	120	75	72	47-72	yes	★ ★ ★

★ = domestic use / ★ ★ = project-based use / ★ ★ ★ = intensive project-based use  
Standard dimensions, custom dimensions possible upon request

TYPE						
<b>Luna round</b>	Ø80	75	73	26-37	yes	★ ★ ★
	Ø90	75	73	29-40	yes	★ ★ ★
	Ø100	75	73	35-58	yes	★ ★ ★
	Ø120	75	73	41-65	yes	★ ★ ★

★ = domestic use / ★ ★ = project-based use / ★ ★ ★ = intensive project-based use  
Standard dimensions, custom dimensions possible upon request

TYPE							
<b>Luna pebble-shaped</b>	120	200	75	72-73	87-119	yes	★ ★ ★
	128	240	75	72-73	75-108	yes	★ ★ ★

★ = domestic use / ★ ★ = project-based use / ★ ★ ★ = intensive project-based use  
Standard dimensions, custom dimensions possible upon request

Subject to change without notice, latest update 202602v1, all images shown are for illustration purposes only