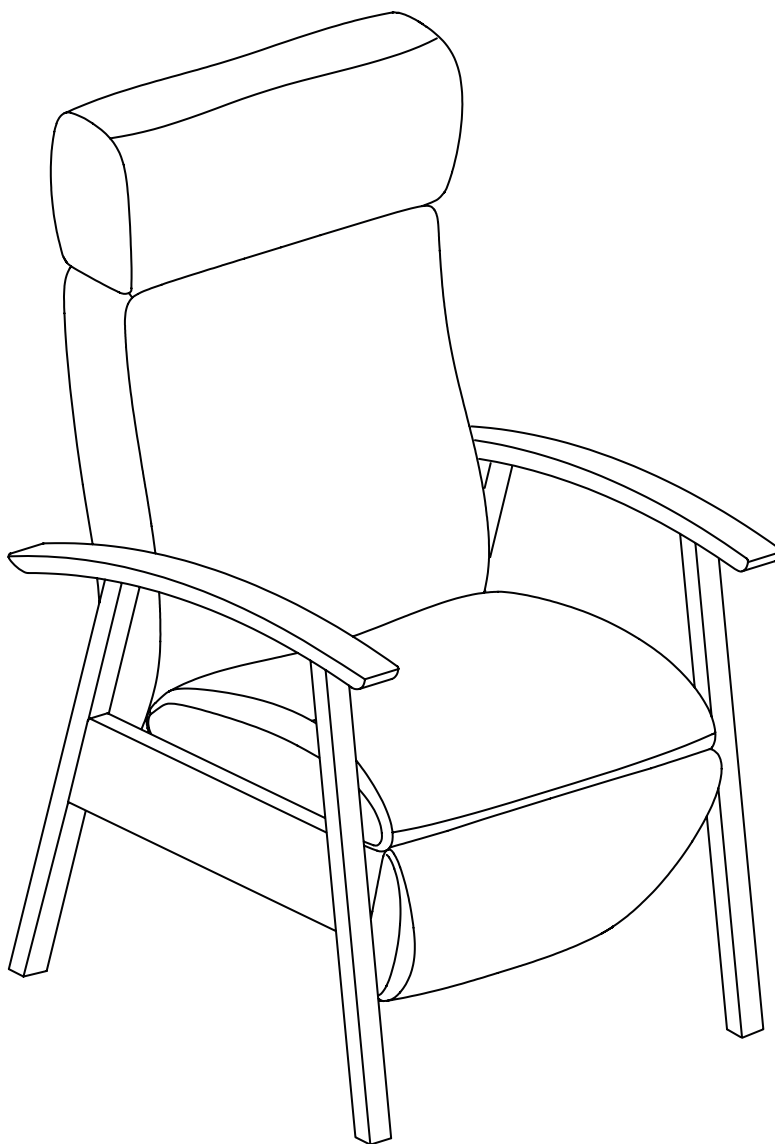


User manual

Laguna care relax



INTRODUCTION

Geriatric reclining armchair finished to an extremely high standard offering excellent comfort. The recliner has an ergonomically shaped back, which makes it ideal for people who have to sit down for extended periods of time (elderly who are not mobile and need plenty of care). The Laguna has numerous adjustment/reclining options. This means that fellow residents or nurses can help put the armchair in the desired position if the user is no longer capable of doing so.

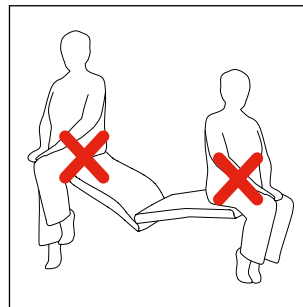
DEFECT OR MALFUNCTION?

Please do not hesitate to contact the Moments Furniture technical service on +32(0)51 489 258 or by sending an email to info@momentsfurniture.com if there is any defect or malfunction.

PROPER CHAIR USAGE

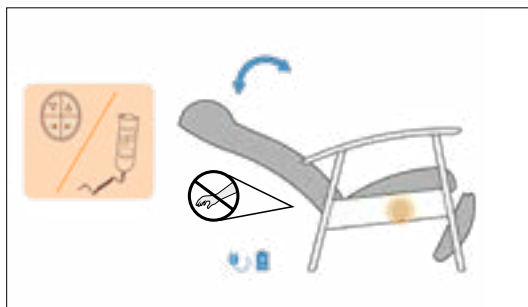
These instructions are provided for the safety and comfort of anyone using this recliner.

- \\ The recliner is designed for one occupant only.
- \\ Allow enough room in front and behind the recliner before extending the footrest and reclining the back.
- \\ The footrest is not a seating area.
- \\ When getting caught between moving parts, one can always perform the opposite movement.
- \\ Not suitable for outdoor use.
- \\ The reclining chair is not a medical device.
- \\ Always use the brake when stationary.
- \\ Before exciting the recliner, ensure that the area under the footrest is clear, return the chair back to its upright position, and retract the footrest completely. (See operating instructions)
- \\ Maximum work load (dynamic): 140 kg.
- \\ Only trained personnel may carry out maintenance and repairs on the adjusting mechanism.
- \\ Only trained personnel may carry out maintenance and repairs on the adjusting mechanism.
- \\ Use only a dry rag to clean electrical components. Never use water when cleaning electrical components.



RECLINING MECHANISMS

QE | ELECTRICALLY ADJUSTABLE VERSION



Warning !

When adjusting the relax by a helper, the user must position both arms on top of the armrest.



Warning !

Make sure when using the recliner with battery, it is always sufficiently charged. This prevents the battery from running out when the recliner is in the relax position.



Warning !

Do not place limbs between the back and side panels when changing the position of the back.

RECLINING MECHANISMS

QE | POWER SUPPLY

Specificities fixed rechargeable battery

Control unit: Power pack (Li-Ion)
Capacity: 1800 mAh
Input voltage: 29V DC
Output voltage: 29 V DC
Max. voltage: 30 V DC
Max. output current: 5 A
Safety: overheating protection - overload protection - over-load current switch-off - short-circuit proof - deep-discharge protection - acoustic warning signal
Protection degree: IP20
Relative humidity: 20% - 85%
Ambient temperatures: +10°C to +55°C
Status display: LED charge status indicator
 LED lights red: Accu is charging
 LED lights green: Accu is fully charged
 Acoustic warning signal for low charge
Certifications/approvals:
 EN 60335-1
 EN 62233
 EN 55014-1-2
Energy: 45Wh
Acoustic signal: ≤23 V
Charging time: approx. 5 - 8 h (depending on charging state)
Charging cycles: approx. 300 (depending on usage and operational conditions)

Special features Motor

Motor: OKIDRIVE ES2
Output: 55W
Capacity: 1800 mAh
Input voltage: 29 V DC
Output voltage: 29 V DC

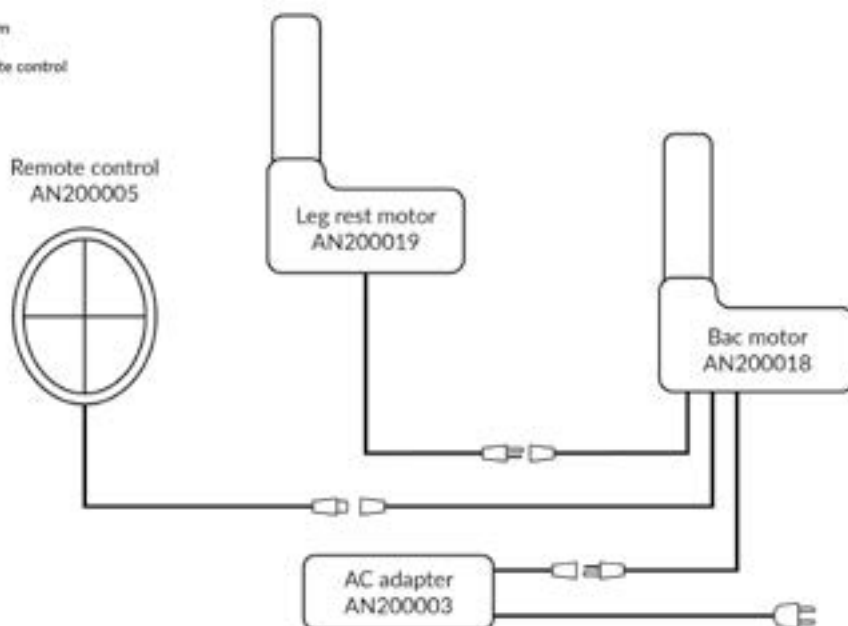
Safety

- \\ Leaking batteries are a health hazard.
- \\ Leaking battery fluid can damage your skin or eyes. The liquid is harmful if touched or swallowed. If you have come into contact with battery fluid, clean the affected area with water and contact a doctor.
- \\ If the casing or cable are damaged, discard the battery immediately.
- \\ Do not open or destroy the battery.
- \\ Do not solder or weld on the battery or near the battery.
- \\ Avoid contact with water.
- \\ Only use chargers approved by DewertOkin.

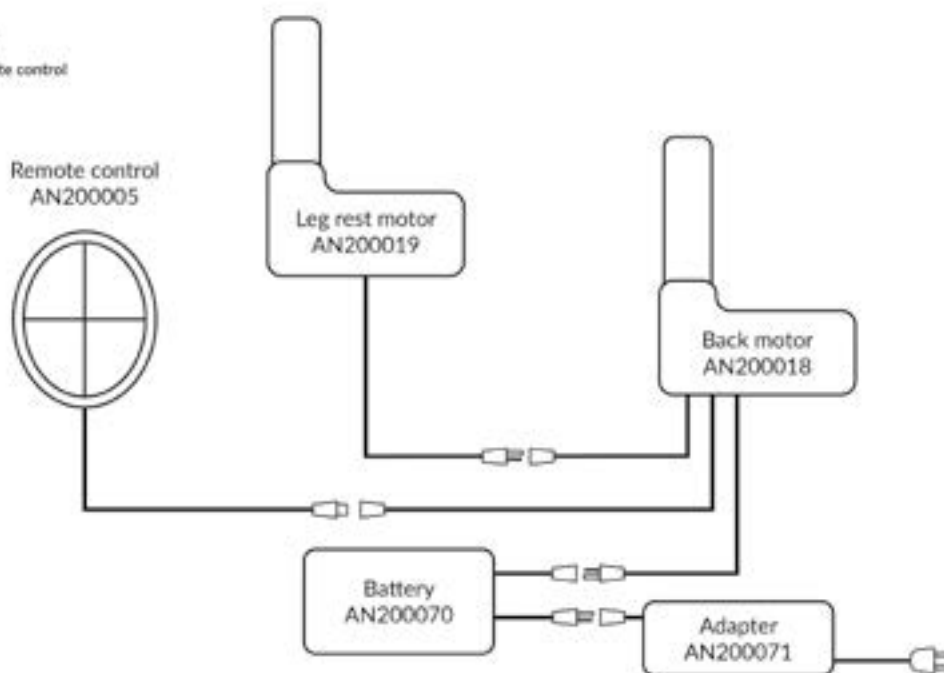
RECLINING MECHANISMS

EL | ELECTRIC CONTROL WITH INTEGRATED REMOTE CONTROL

Laguna
Electrical diagram
Jan 2023
Integrated remote control
AC



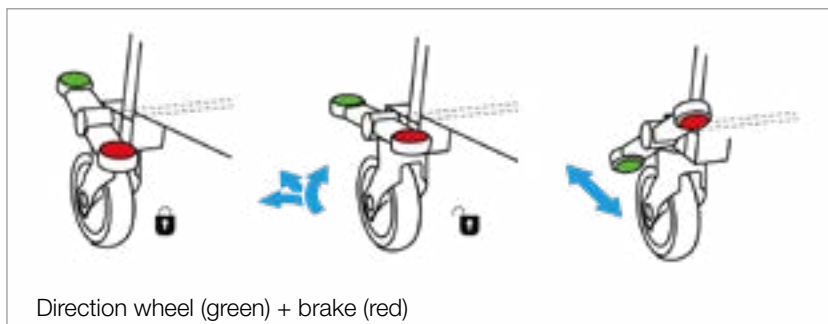
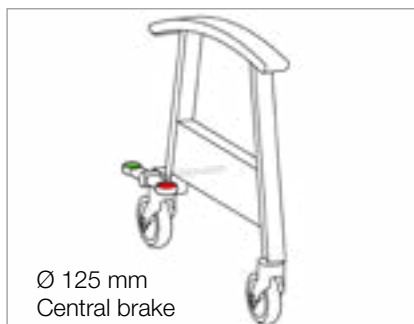
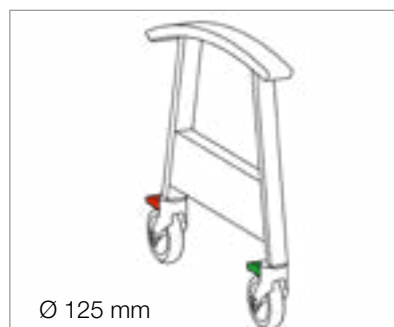
Laguna
Electric diagram
Jan 2023
Integrated remote control
Battery



Warning !

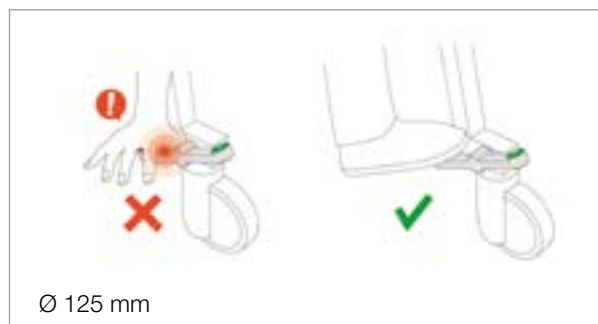
Use the motors for a maximum of 2 minutes with a rest period of 18 minutes after it for optimal service life of the electric adjustment mechanism.

BASE



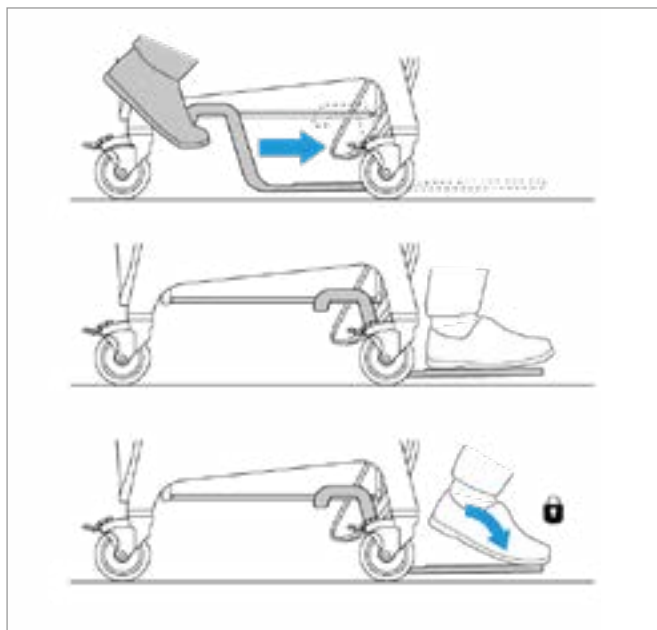
Warning !

Always apply the brake when stationary to avoid any unexpected movement. Always operate the brake with your foot.

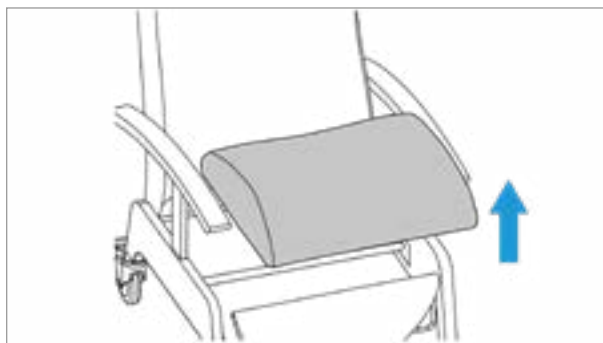


OPTIONS

RETRACTABLE FOOTREST



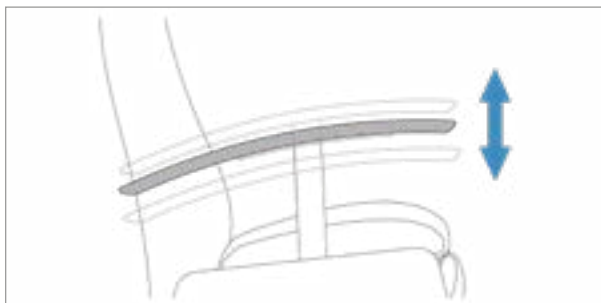
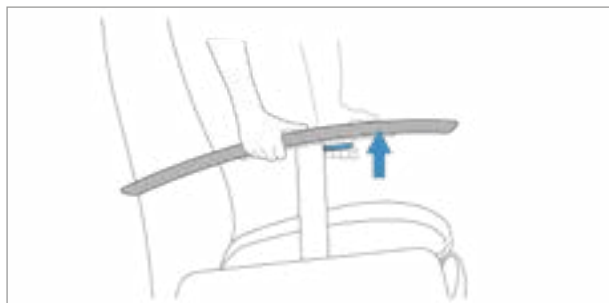
REMOVABLE SEAT



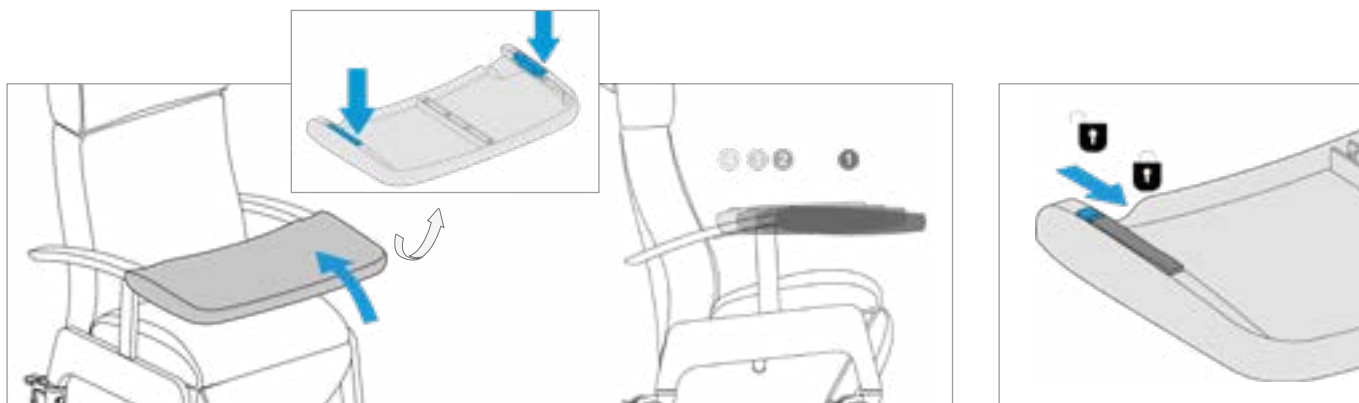
Warning !

You must hear the 'click' when fixating the seat back into place!

ARMREST ADJUSTMENT

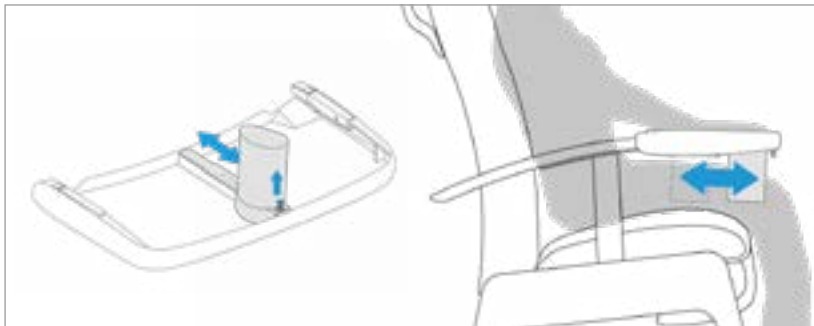


TRAY

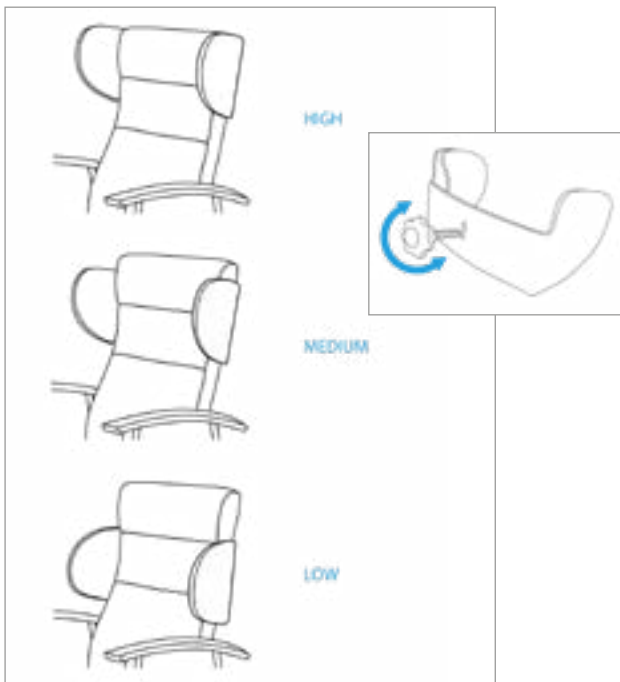


OPTIONS

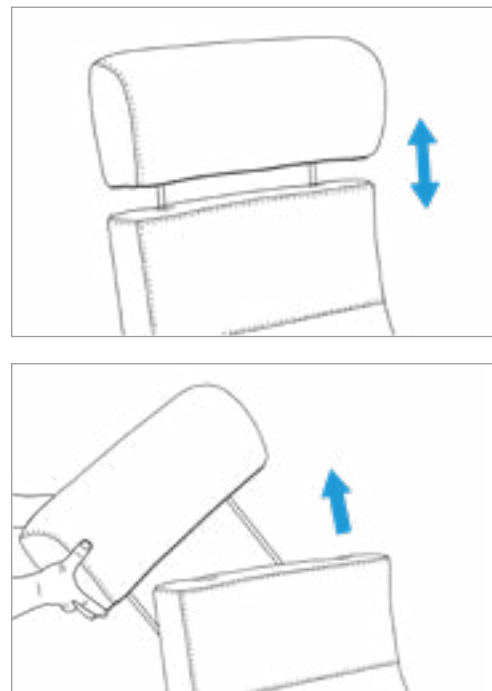
CROTCH POST



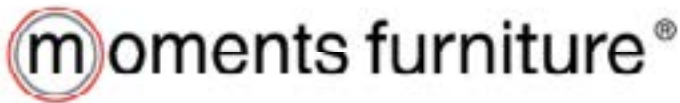
SHOULDER SUPPORT



REMOVABLE HEADREST



EG-DECLARATION OF CONFORMITY



Translation of original statement

EC declaration of conformity

in accordance with Annex II.1.A of the Machinery Directive 2006/42/EC

MOMENTS FURNITURE NV

Deefakkerstraat 2
8770 Ingelmunster
Belgium

We, MOMENTS FURNITURE NV, hereby declare that the machine, described as:

Trade description:	Relax seat
Function:	Automatically adjustable relax seat
Model / Type:	Relax – Inguna
Serial number:	VO-XXXXX

complies with all applicable provisions of the Machinery Directive 2006/42/EC, as last amended.

We also declare that the above machine complies with the applicable provisions of the EMC Directive 2014/30/EU, as last amended;

The following harmonised standards have been applied:

- EN ISO 12100:2010: Safety of machinery - General principles for design - Risk assessment and risk reduction

Authorised compiler of the technical file:

Mr:	Joren De Tervaeerem
Function:	Senior product design engineer
Address:	Deefakkerstraat 2, B 8770 Ingelmunster

Certificate of conformity for the Machinery Directive 2006/42/EC obtained from Vincotte with No. Z23-620-000-A

Name: Peter Samoyl

Location: Ingelmunster

Function: CEO

Date: 13/3/2023

Signature:





Moments Furniture

Deefakkerstraat 2
8870 Ingelmunster
Belgium
T +32 51 489 258

W2 Moments

Edisonstraat 25
4004 JL Tiel
The Netherlands
T +31 344 619 844

Moments Furniture France

130, Boulevard de la Liberté
59000 Lille
France
T +33 320 545 019

FMB Care

Am Shlinge 8
33154 Salzkotten
Germany
T +49 525 898 090 0

FMB Care.nl

Edisonstraat 25
4004 JL Tiel
The Netherlands
T +31 344 619 844

Moments Furniture Switzerland

Chemin du croset 9
1024 Ecublens
Switzerland
T +41 21 697 05 05

