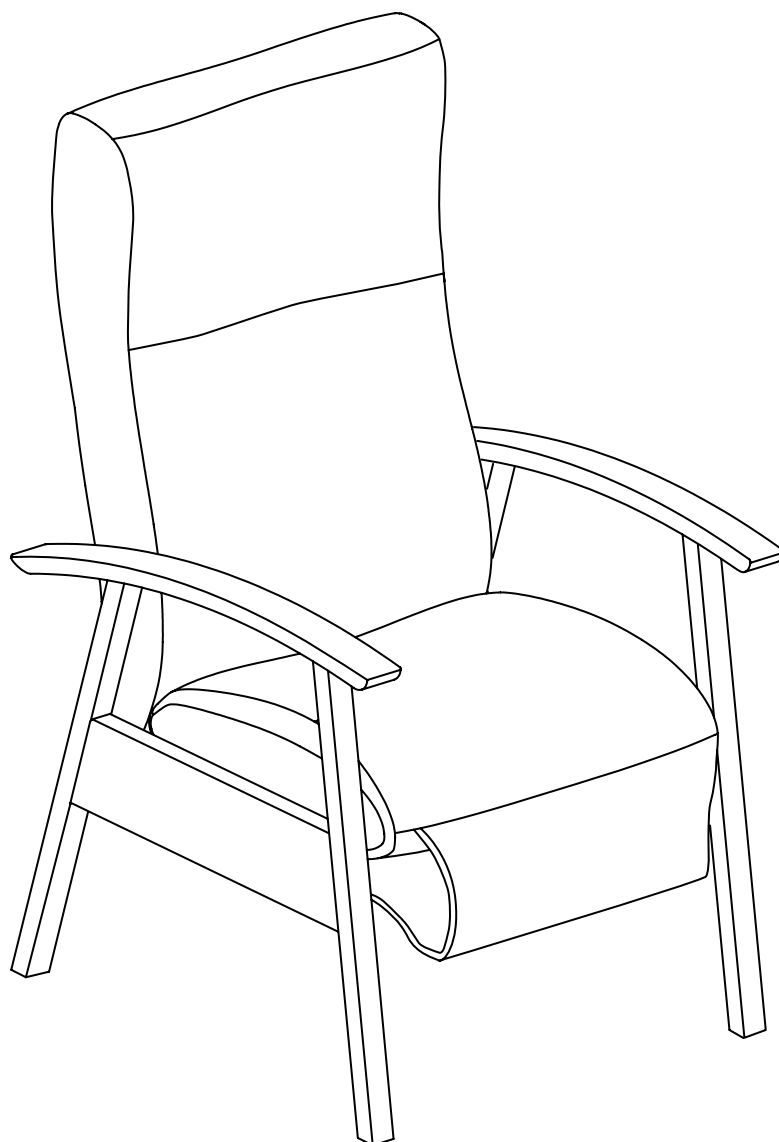


User manual

Echo care relax



INTRODUCTION

The ideal chair for reading, watching TV or just relaxing. Budget friendly entry model that can be operated independently. Geriatric recliner, offering excellent seating comfort (ideal for use in elderly care settings). The sitting height and the armrests make sitting down and standing up from a seated position easier.

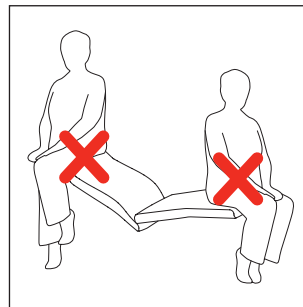
DEFECT OR MALFUNCTION?

Please do not hesitate to contact the Moments Furniture technical service on +32(0)51 489 258 or by sending an email to info@momentsfurniture.com if there is any defect or malfunction.

PROPER CHAIR USAGE

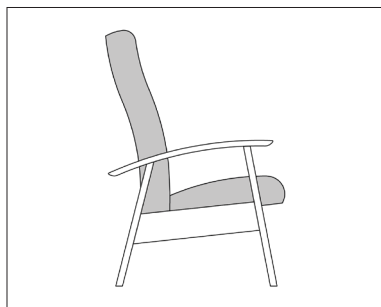
These instructions are provided for the safety and comfort of anyone using this recliner.

- \\ The recliner is designed for one occupant only.
- \\ Allow enough room in front and behind the recliner before extending the footrest and reclining the back.
- \\ The footrest is not a seating area.
- \\ Neither the recliner nor its options or accessories, are intended for fixation/retaining.
- \\ When getting caught between moving parts, one can always perform the opposite movement.
- \\ Not suitable for outdoor use.
- \\ The reclining chair is not a medical device.
- \\ Always use the brake when stationary.
- \\ Before exciting the recliner, ensure that the area under the footrest is clear, return the chair back to its upright position, and retract the footrest completely. (See operating instructions)
- \\ Maximum work load (dynamic): 120 kg.
- \\ Only trained personnel may carry out maintenance and repairs on the adjusting mechanism.
- \\ Use only a dry rag to clean electrical components. Never use water when cleaning electrical components.

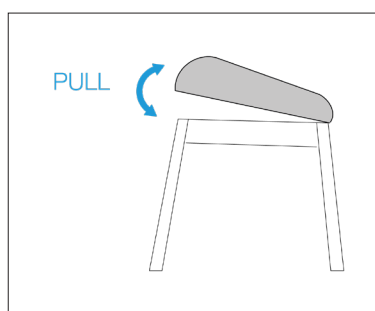


RECLINING MECHANISMS

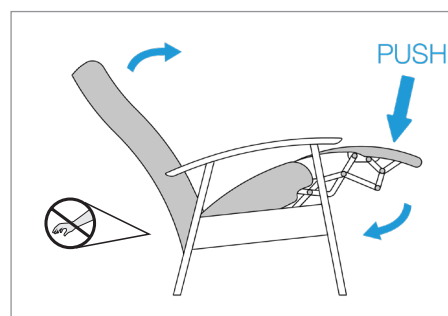
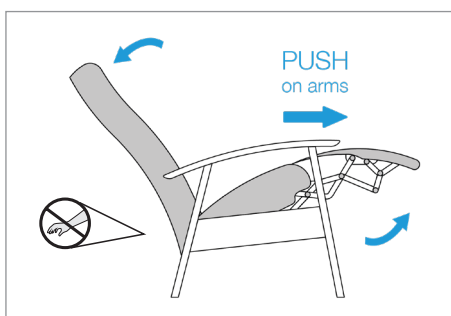
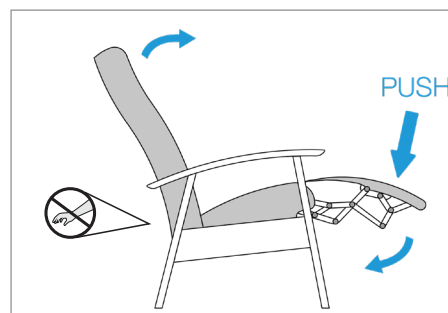
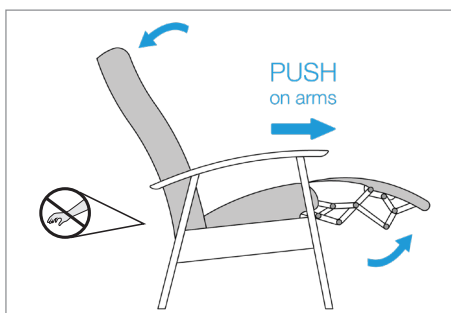
VA | FIXED VERSION



VA | OPTIONAL FIXED OR ADJUSTABLE FOOTREST



SR | SYNCLINER VERSION



Warning !

Do not place limbs between the back and side panels when changing the position of the back.

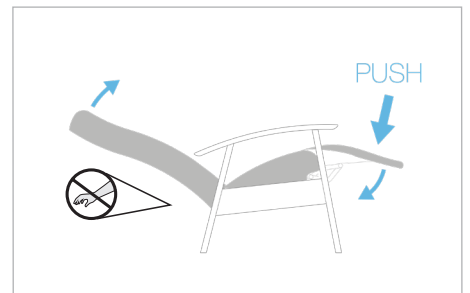
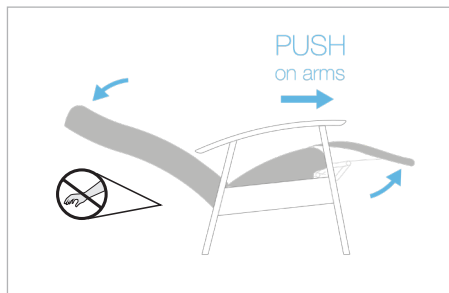
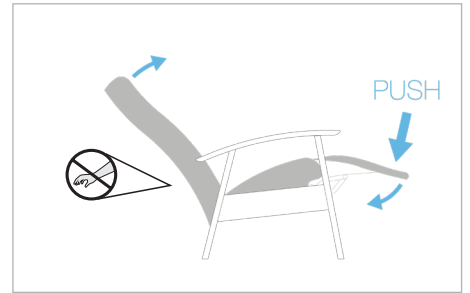
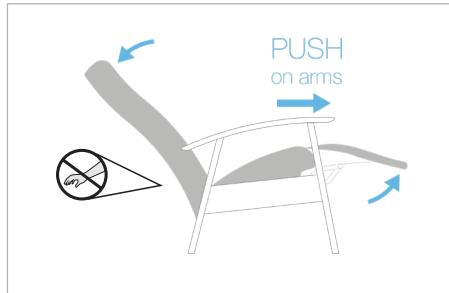
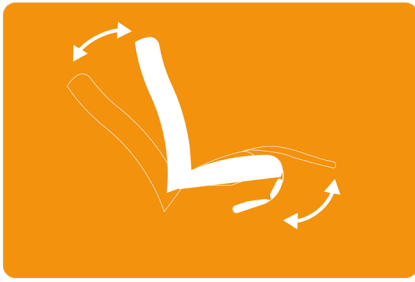


Warning !

When adjusting the relax by a helper, the user must position both arms on top of the armrest.

RECLINING MECHANISMS

2S | 2S VERSION WITH INDIVIDUALLY ADJUSTABLE BACKREST



Warning !

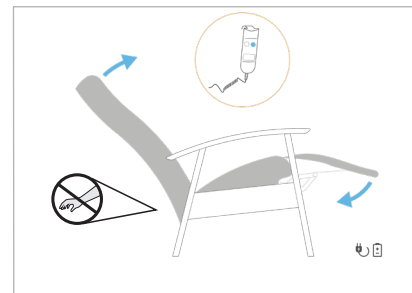
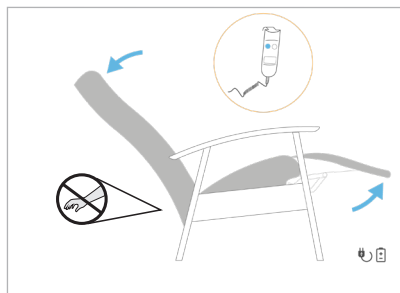
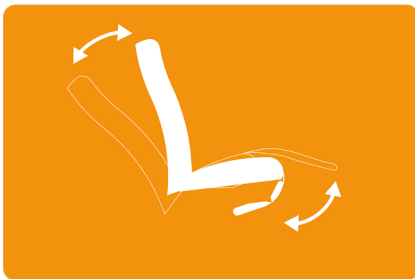
When adjusting the relax by a helper, the user must position both arms on top of the armrest.



Warning !

Do not place limbs between the back and side panels when changing the position of the back.

EL | ELEKTRICALLY ADJUSTABLE VERSION



Warning !

When adjusting the relax by a helper, the user must position both arms on top of the armrest.



Warning !

Make sure when using the recliner with battery, it is always sufficiently charged. This prevents the battery from running out when the recliner is in the relax position.



Warning !

Do not place limbs between the back and side panels when changing the position of the back.

RECLINING MECHANISMS

EL | POWER SUPPLY

Specificities fixed rechargeable battery

Control unit: Power pack (Li-Ion)

Capacity: 1800 mAh

Input voltage: 29 V DC

Output voltage: 29 V DC

max. voltage: 30 V DC

max. output current: 5 A

Safety:

- Overheating protection
- Overload protection
- Overload current switch-off
- Short-circuit proof
- Deep-discharge protection
- Acoustic warning signal

Protection degree: IP20

Relative humidity: 20% - 85%

Ambient temperatures: +10°C to +55°C

Status display:

LED charge status indicator

LED lights red – Accu is charging

LED lights green – Accu is fully charged

Acoustic warning signal for low charge

Certifications / Approvals:

EN 60335-1

EN 62233

EN 55014-1-2

Energy: 45 Wh

Acoustic signal: ≤ 23 V

Charging time approx. 5 - 8 h (depending on charging state)

approx. 300 charging cycles (depending on usage and operational conditions)

Specificities power supply via fixed power supply

Input voltage: 100V - 240V ~ 50/60Hz

Current consumption: 1.6A

Output voltage and max. output current during continuous operation: 29V, 2A

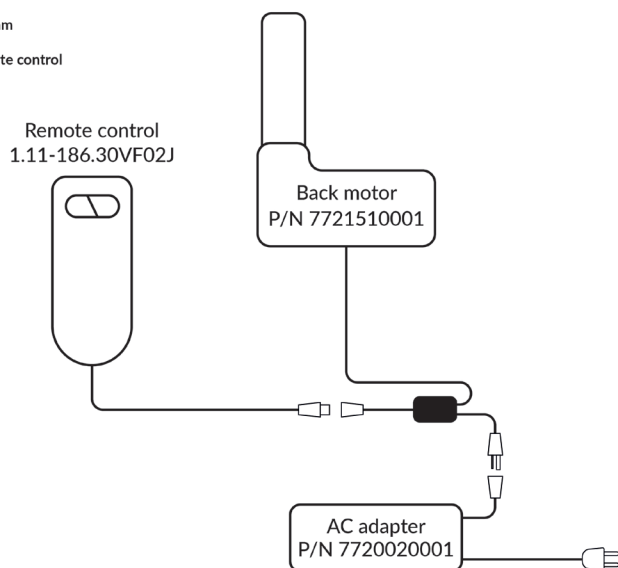
Safety

- \\ Leaking batteries present a health hazard!
- \\ Leaking battery fluid can injure your skin or eyes.
- \\ The fluid is harmful when touched or swallowed.
- \\ If you come into contact with battery fluid, clean the affected area with water and contact a doctor.
- \\ If the housing or cable are damaged, the battery must be disposed immediately.
- \\ Do not open or destroy the battery.
- \\ Do not solder or weld at the battery or in the vicinity of the battery.
- \\ Avoid contact with water.
- \\ Use only by DewertOkin approved Chargers.

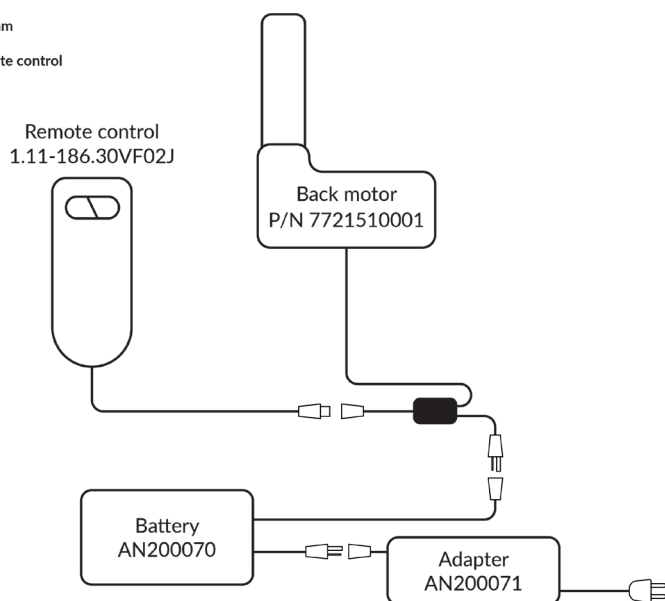
RECLINING MECHANISMS

EL | ELECTRIC CONTROL WITH EXTERNAL REMOTE CONTROL

Echo 2S
Electric diagram
Jan 2023
External remote control
AC



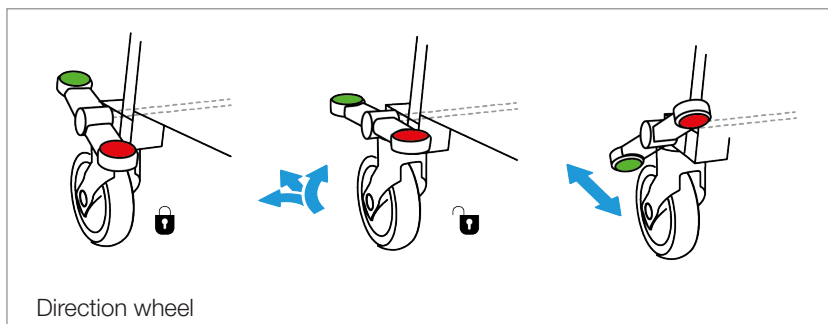
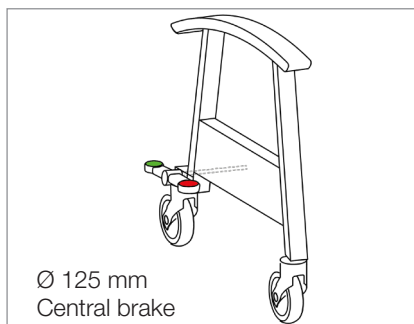
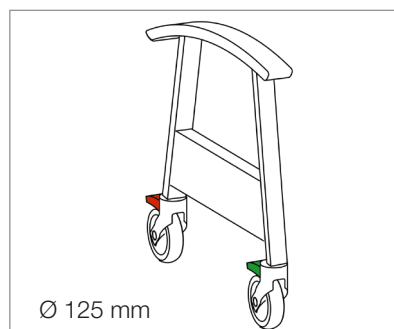
Echo 2S
Electric diagram
Jan 2023
External remote control
Battery



Warning !

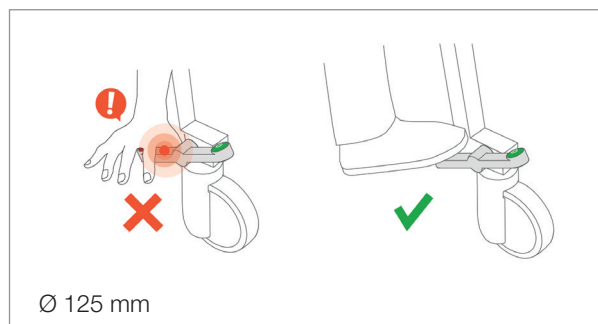
Use the motors for a maximum of 2 minutes with a rest period of 18 minutes after it for optimal service life of the electric adjustment mechanism.

BASE



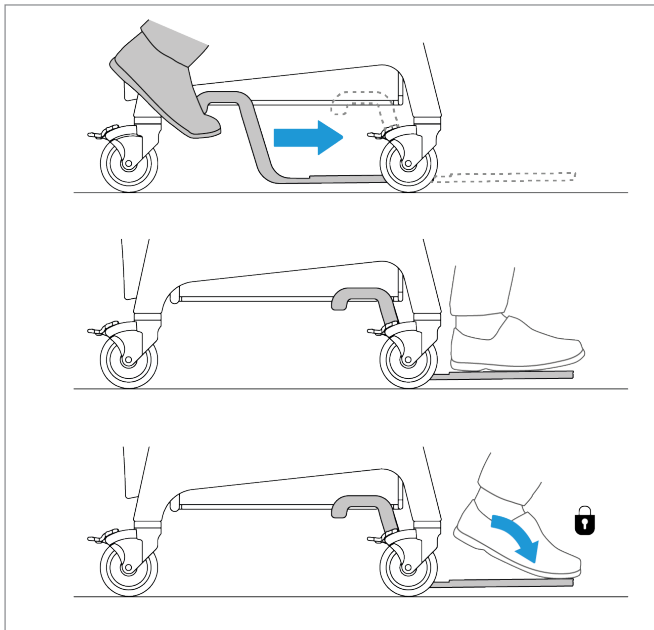
Warning !

Always apply the brake when stationary to avoid any unexpected movement. Always operate the brake with your foot.

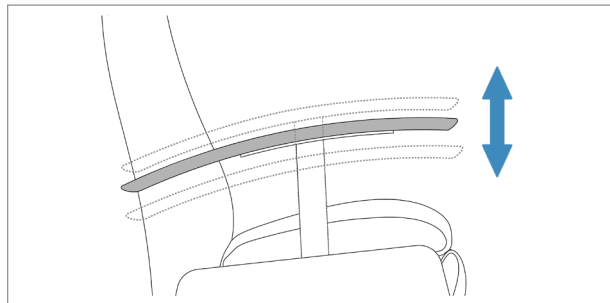
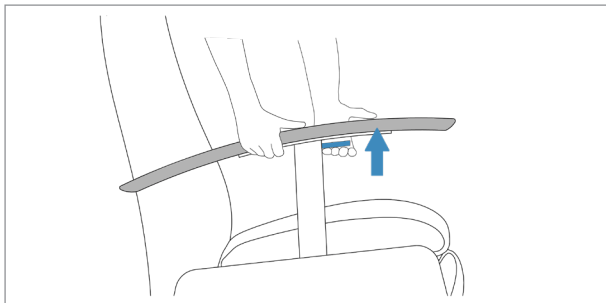


OPTIONS

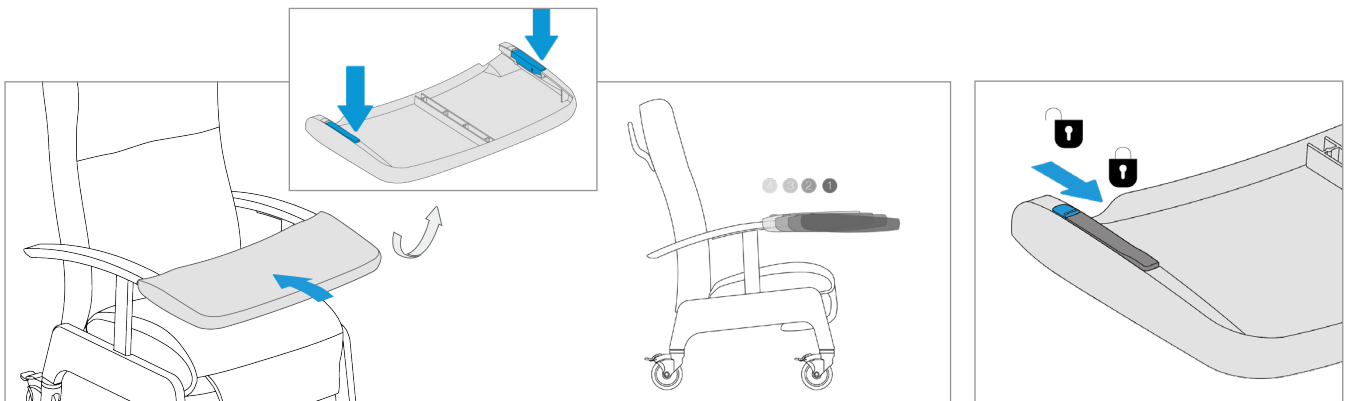
RETRACTABLE FOOTREST



ARMREST ADJUSTMENT

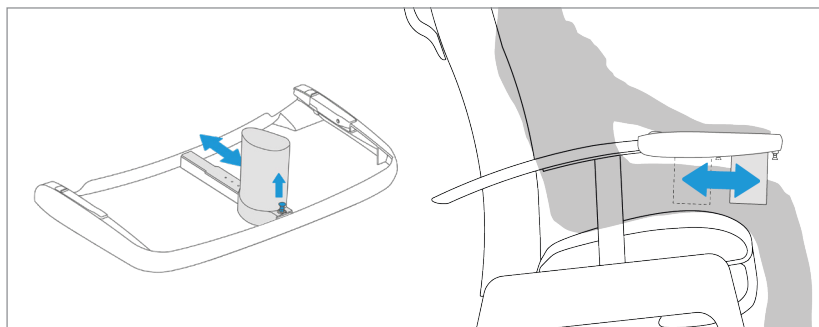


TRAY

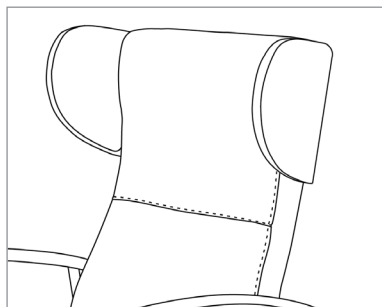


OPTIONS

CROTHCH POST



SHOULDER SUPPORT



EG-DECLARATION OF CONFORMITY



Translation of original statement

EC declaration of conformity

in accordance with Annex II.1.A of the Machinery Directive 2006/42/EC

MOMENTS FURNITURE NV

**Deefakkerstraat 2
8770 Ingelmunster
Belgium**

We, MOMENTS FURNITURE NV, hereby declare that the machine, described as:

Trade description:	Relax seat
Function:	Automatically adjustable relax seat
Model / Type:	Relax – Echo
Serial number:	VO-XXXXX

complies with all applicable provisions of the Machinery Directive 2006/42/EC, as last amended.

We also declare that the above machine complies with the applicable provisions of the EMC Directive 2014/30/EU, **as last amended**;

The following harmonised standards have been applied:

- **EN ISO 12100:2010**: Safety of machinery - General principles for design - Risk assessment and risk reduction

Authorised compiler of the technical file:

*Mr: Joren De Temmerman
Function: Senior product design engineer
Address: Deefakkerstraat 2, B 8770 Ingelmunster*

Certificate of conformity for the Machinery Directive 2006/42/EC obtained from Vincotte with No. Z23-622-999-A

Name: : Peter Sarasyn

Location: Ingelmunster

Function: : CEO

Date: 13/03/2023

Signature:

A handwritten signature in blue ink, consisting of a large, circular loop followed by several smaller, overlapping loops.





Moments Furniture

Deefakkerstraat 2
8870 Ingelmunster
Belgium
T +32 51 489 258

W2 Moments

Edisonstraat 25
4004 JL Tiel
The Netherlands
T +31 344 619 844

Moments Furniture France

130, Boulevard de la Liberté
59000 Lille
France
T +33 320 545 019

FMB Care

Am Shlinge 8
33154 Salzkotten
Germany
T +49 525 898 090 0

Moments Furniture Switzerland

Chemin du croset 9
1024 Ecublens
Switzerland
T +41 21 697 05 05

