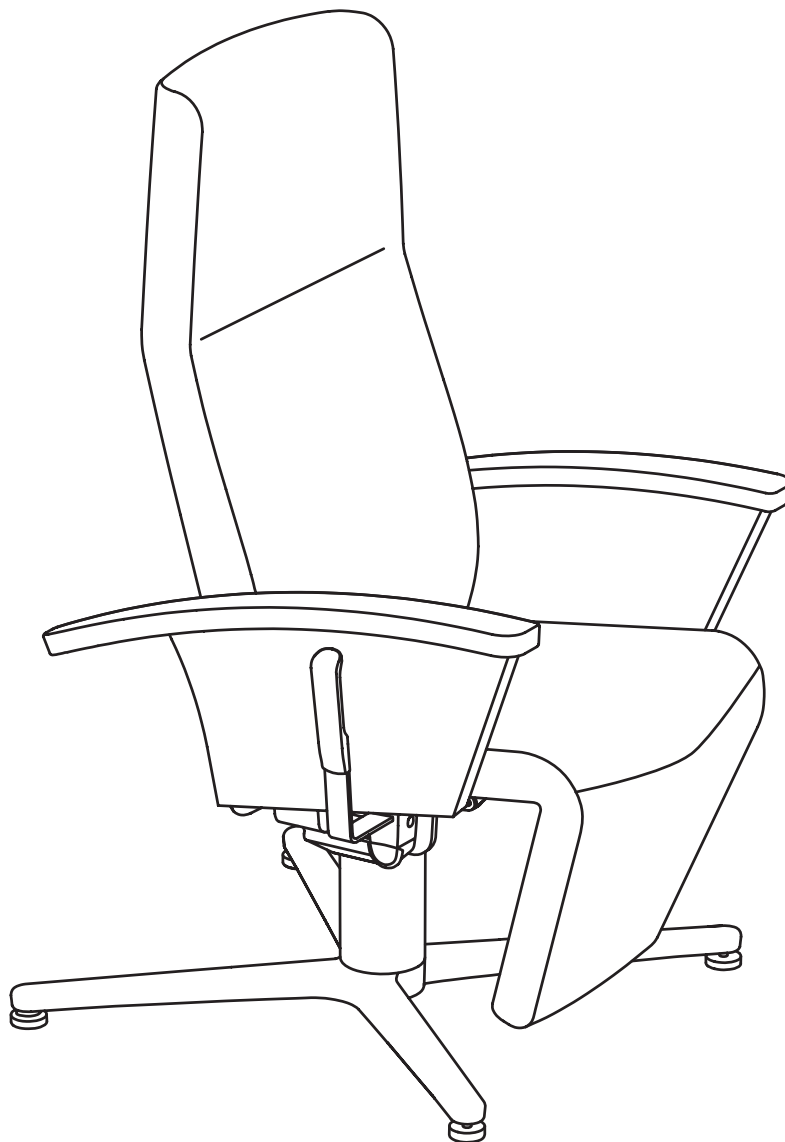


# User manual

*No care relax*

*Fusion relax*

2023



## INTRODUCTION

This comfortable reclining armchair was developed specifically as a universal design recliner that evolves with the needs and desires of its user. Because of its modular structure, the reclining armchair can even be converted.

The Ino does not only have a light modern look, it actually is a very light reclining armchair. The chair's sleek design gives it a sense of sophistication while also ensuring a high level of stability. The Ino is very manoeuvrable and very maintenance-friendly too.

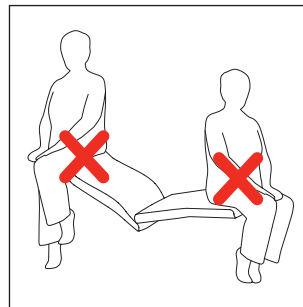
## DEFECT OR MALFUNCTION?

Please do not hesitate to contact the Moments Furniture technical service on +32(0)51 489 258 or by sending an email to [info@momentsfurniture.com](mailto:info@momentsfurniture.com) if there is any defect or malfunction.

## PROPER CHAIR USAGE

These instructions are provided for the safety and comfort of anyone using this recliner.

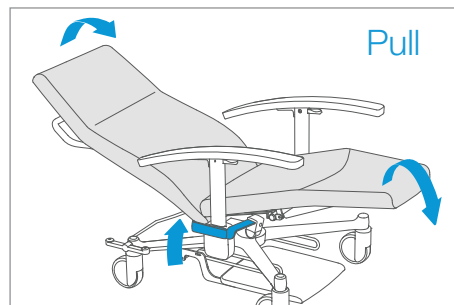
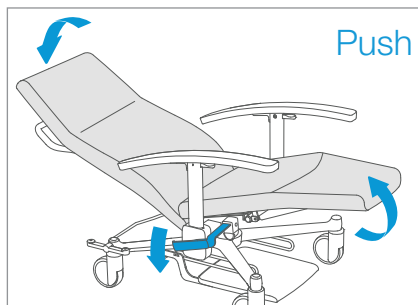
- \\ The recliner is designed for one user only.
- \\ Allow enough room in front and behind the recliner before extending the footrest and reclining the back.
- \\ The legrest is not a seating area.
- \\ Neither the recliner nor its options or accessories, are intended for fixation/retaining.
- \\ When getting caught between moving parts, one can always perform the opposite movement.
- \\ Not suitable for outdoor use.
- \\ The reclining chair is not a medical device.
- \\ Always use the brake when stationary.
- \\ The sound level of the reclining chair is less than 70 decibels.
- \\ Before exciting the recliner, ensure that the area under the footrest is clear, return the chair back to its upright position, and retract the footrest completely.
- \\ Maximum work load: 140 kg (ZG and DC), 120 kg (EL).
- \\ Only trained personnel may carry out maintenance and repairs on the adjusting mechanism.
- \\ Always move the recliner with 2 people if no wheels or castors are provided.



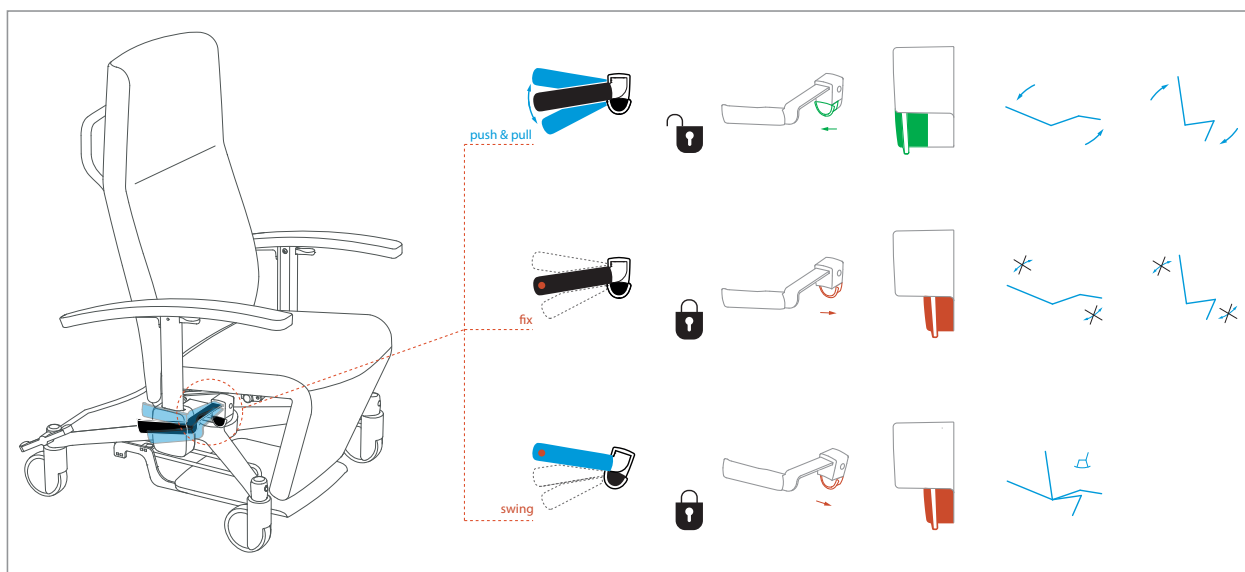
# RECLINING MECHANISMS

ZG | ZERO GRAVITY 130° & 140°

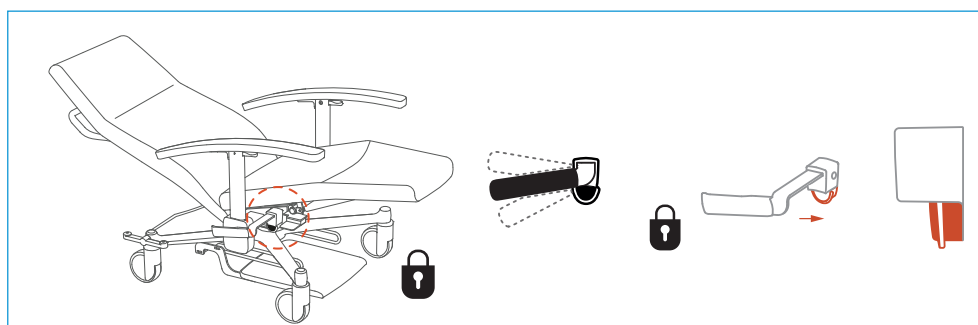
Legrest & back - Stepless adjustable



Legrest & back - Swing & Lock



**SAFETY TIP** safe sleeping position



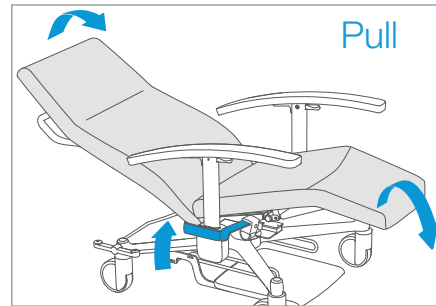
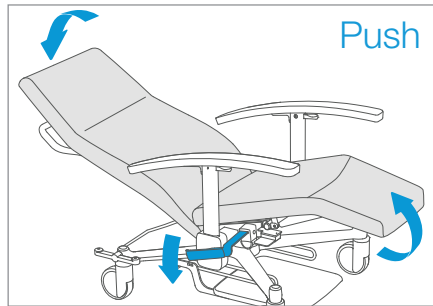
**Warning !**

When adjusting the relax by a helper, the user must position both arms on top of the armrest.

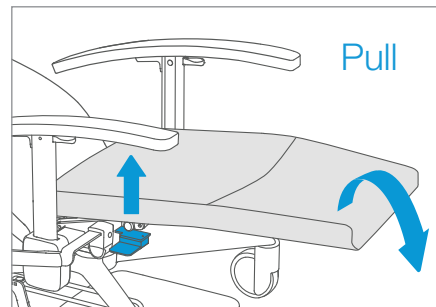
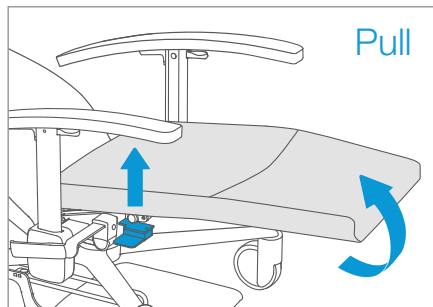
# RECLINING MECHANISMS

DC | DUO COMFORT SYNCHRO 130°

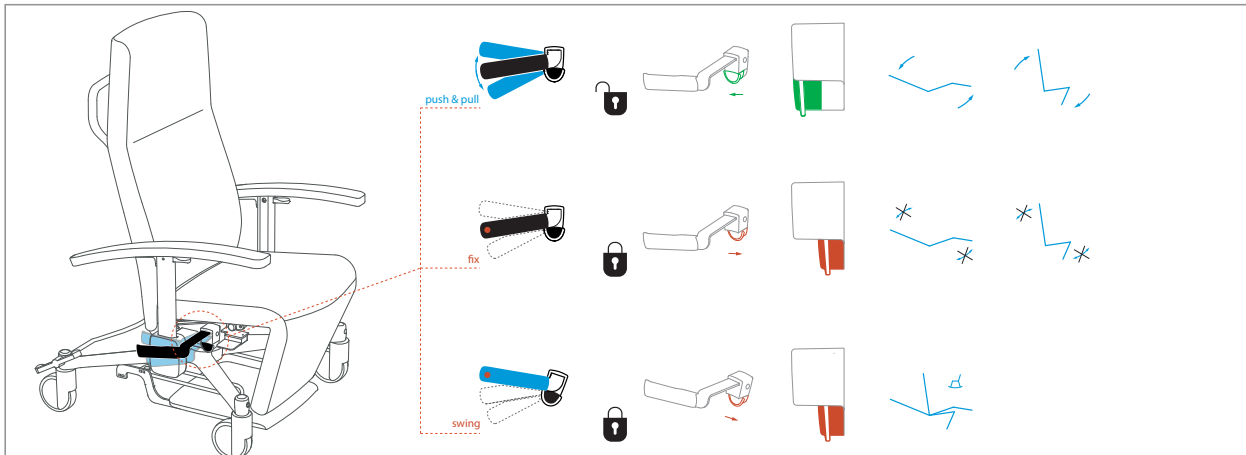
**Legrest & back** - Stepless adjustable



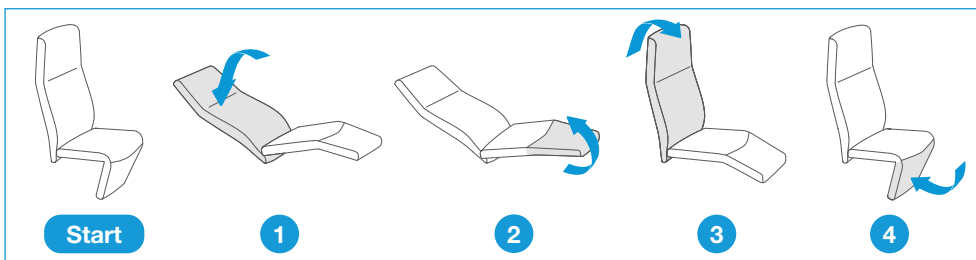
**Legrest** - Stepless adjustable



**Legrest & back** - Swing & Lock



## ERGOTIP



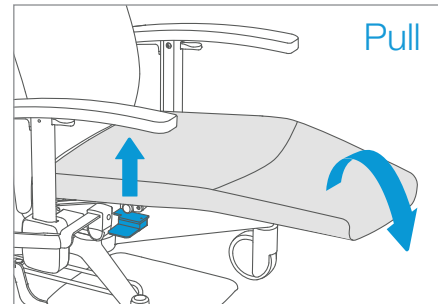
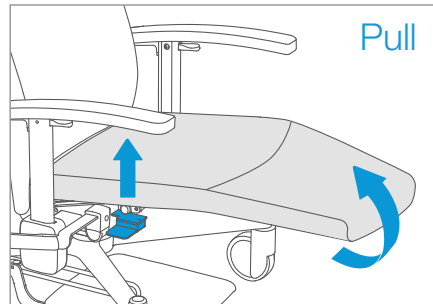
### Warning !

When adjusting the relax by a helper, the user must position both arms on top of the armrest.

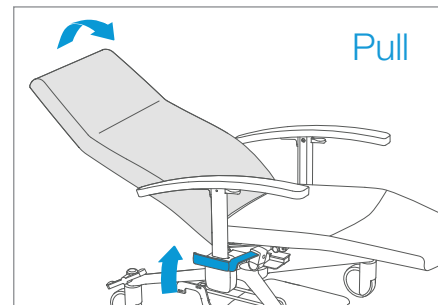
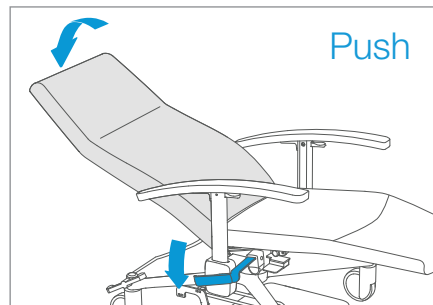
# RECLINING MECHANISMS

DC | DUO COMFORT SOLO 130°

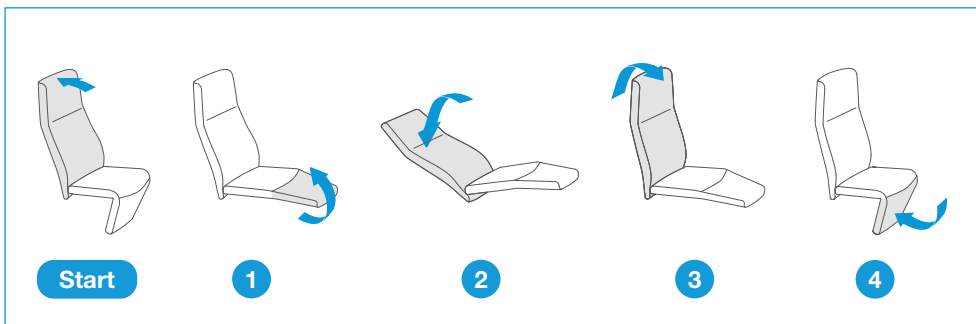
**Legrest** - Stepless adjustable



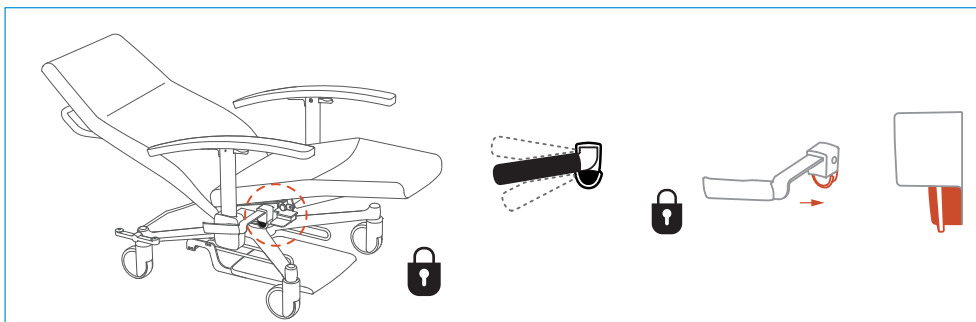
**Back** - Stepless adjustable



## ERGOTIP



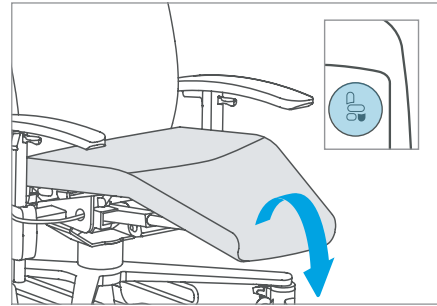
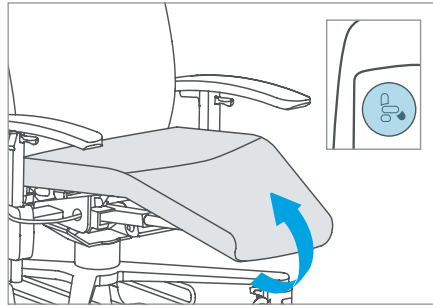
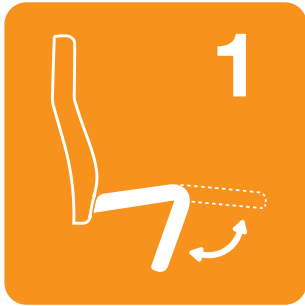
**SAFETY TIP** Safe sleeping position



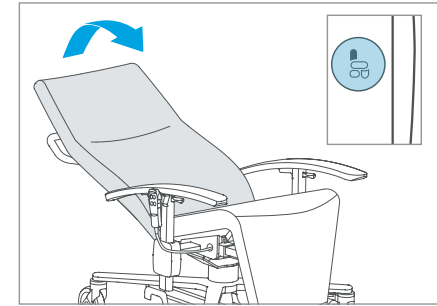
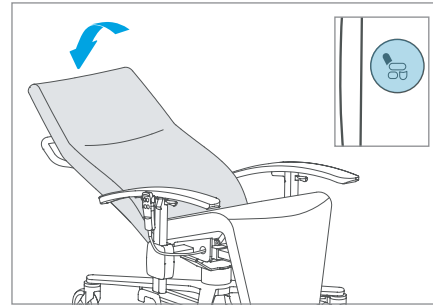
# RECLINING MECHANISMS

EL | ELECTRIC 150°

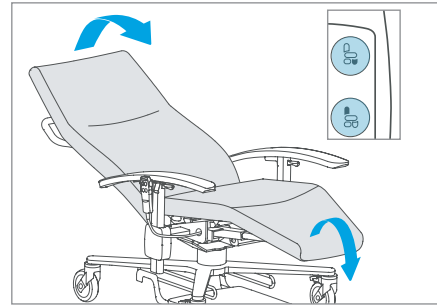
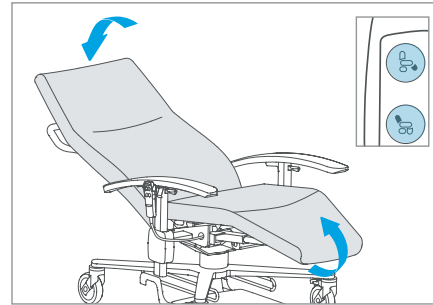
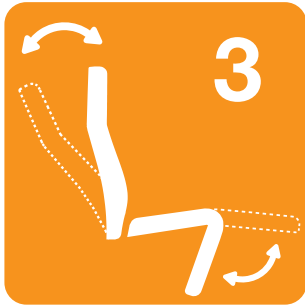
**Legrest** - Stepless adjustable - Electric



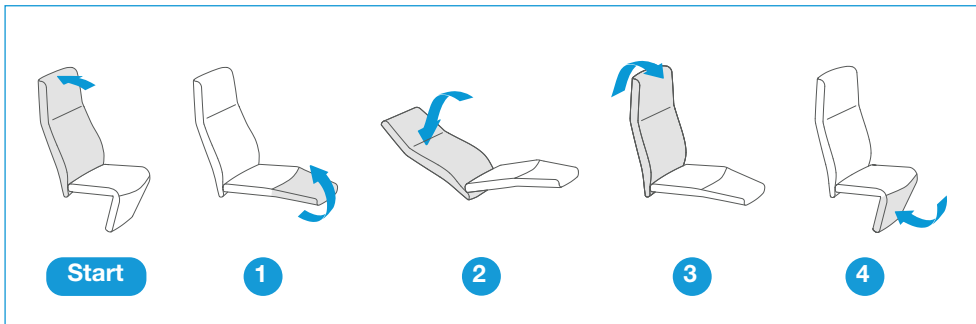
**Back** - Stepless adjustable - Electric



**Legrest & back** - Synchronously stepless adjustable - Electric



## ERGOTIP

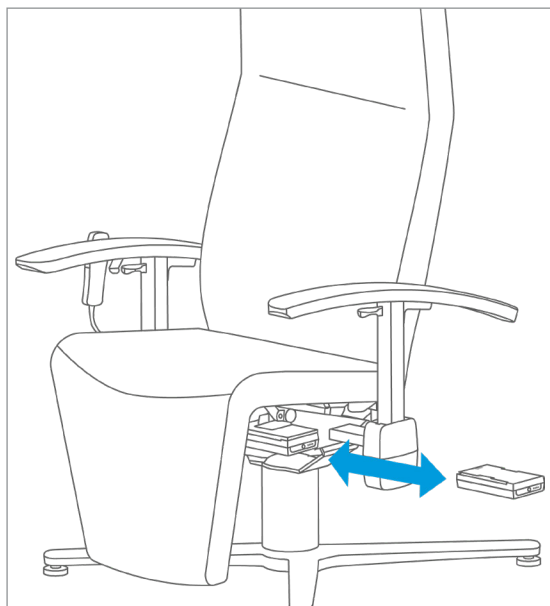


### Warning !

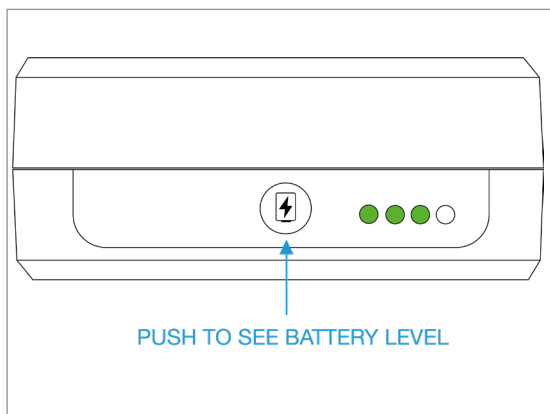
When adjusting the relax by a helper, the user must position both arms on top of the armrest.

# RECLINING MECHANISMS

## EL | POWER SUPPLY VIA A REMOVABLE AND RECHARGEABLE BATTERY



The battery is located under the seat. Remove it from the holder by grasping it along the sides with one hand and pulling it. When inserting a battery in the chair, it must be pushed into the holder until it clicks into place.

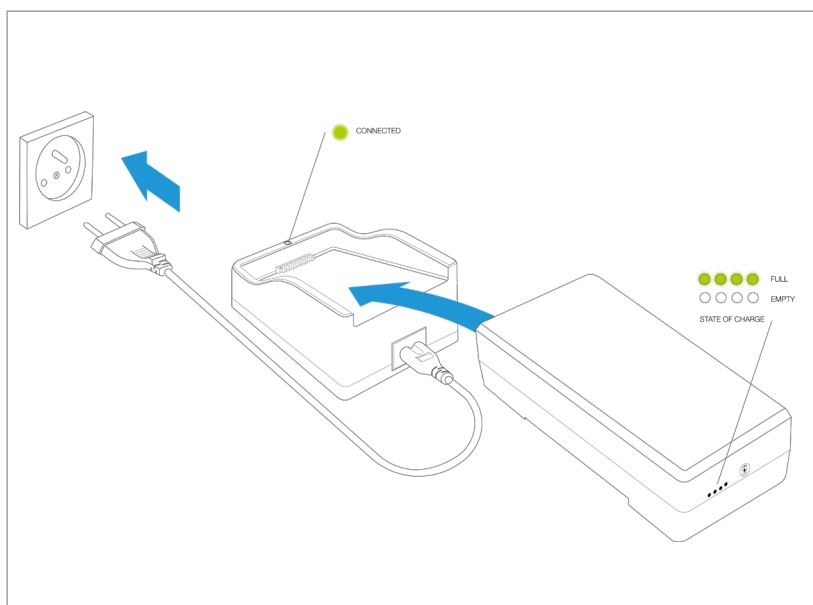


To see the charge level of the battery, push the white button. The number of LED's and their color show the extent to which the battery is charged.



### Warning !

Make sure when using the recliner with battery, it is always sufficiently charged. This prevents the battery from running out when the recliner is in the relax position.



### Charging the battery.

- 1: Connect the AC cable to the charger.
- 2: Connect the battery to the charger.
- 3: Plug the AC cable into the wall outlet.

# RECLINING MECHANISMS

## EL | POWER SUPPLY VIA A REMOVABLE AND RECHARGEABLE BATTERY

### Specifications battery

type: lithium ionen battery  
input: max. charge voltage: 29,4 V, 0,35 A  
output: 25,2 V, nom. 4A  
nominale capaciteit: 2200 mAh  
duty cycle: 10%, 2/18 min  
Wh rating: 38 Wh  
Number of cycles at full charge j: 75  
IP30  
Output voltage @load 3A: 16.8V~29V  
Rated output current: 3.0A  
Max output current @ T<sub>on</sub>: 1min, T<sub>off</sub>:9min: 10.0A  
Standard nominal voltage: 25.2V  
Standard nominal capacity @load 0.45A: 2200mAh  
Charge voltage: 29V-31V  
Max charge current: 250mA ± 100mA  
Full of charge output voltage @ 5mA: 27.5V-29.4V  
Charging time: 12hours  
Max output current (continuous work): 3A  
Max output peak current: 20A>I<sub>peak</sub>>14A  
Charging & discharging cycle: 300times  
Protection: Over current, Over discharge voltage@ load 3A

### Specifications charging station

input: 100 - 240 V (AC)  
output: 29,4 V (DC)  
charging current: 350 mA  
power: 20W  
IP20  
Input Voltage: 100V AC to 240VAC  
input frequency: 47 Hz to 63 Hz  
Standby Input power: Max. 0. 30 W  
Standby Input Current: Max. 70mA  
Average efficiency: ≥86%  
Output Voltage: DC 29.0V  
Rated current: 1.8A  
Cut Off Current: 01PIN: 9A MAX, 8PIN: 2A MAX  
Maximum ripple & Noise: 300mVp-p (Ripple), 350mVp-p (Noise)  
Weight: Approx. 288 g  
Dimensions: 132 mm(L) X 95 mm (W) X 57mm(H)  
Connector: AC INPUT: 2PIN AC, DC OUTPUT: 01PIN + 8PIN  
Protection: Over-voltage protection(45V), Over-current protection, Over temperature protection

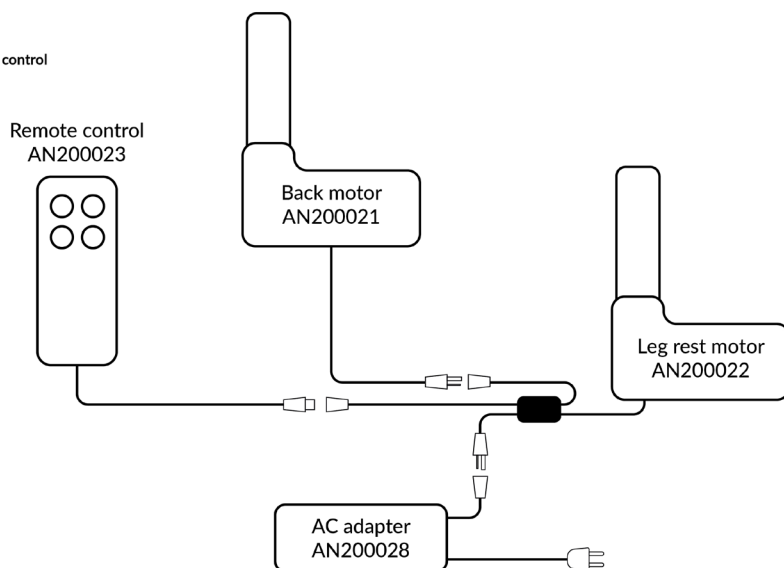
### Safety

- ⚡ Fully charge the power pack once before the first use.  
The charging time is as below when using the charger:  
BS-7 is about 2 hours, BS-8 is about 4 hours, BS-10 takes about 6 hours.
- ⚡ WARNING - use of the power pack should be extremely careful. All instructions supplied with the powerpack should be read
- ⚡ Powerpack must be handled with great care. Do not throw, drop or expose it to strong vibrations. If the device is damaged, it must not be put into operation.
- ⚡ Do not expose to fire or disassemble!
- ⚡ Do not immerse in water!
- ⚡ Keep out of reach of children!
- ⚡ Store in dry, well-ventilated area.
- ⚡ Do not exceed the voltage or current rating of the battery. Use only with the adapter provided.
- ⚡ Use and store the battery within those parameters.
- ⚡ Fully charge the battery after 6 months of storage, even when not in use.

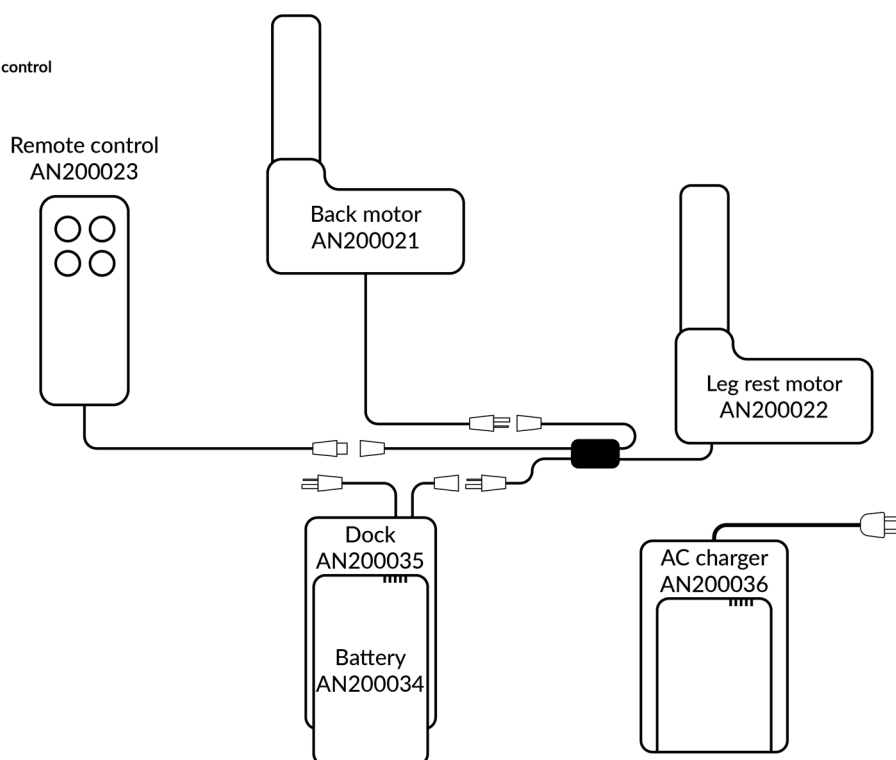
# RECLINING MECHANISMS

## EL | ELECTRICAL CONTROL WITH EXTERNAL REMOTE CONTROL

Ino  
Electric diagram  
Nov 2022  
External remote control  
AC



Ino  
Electric diagram  
Nov 2022  
External remote control  
Battery



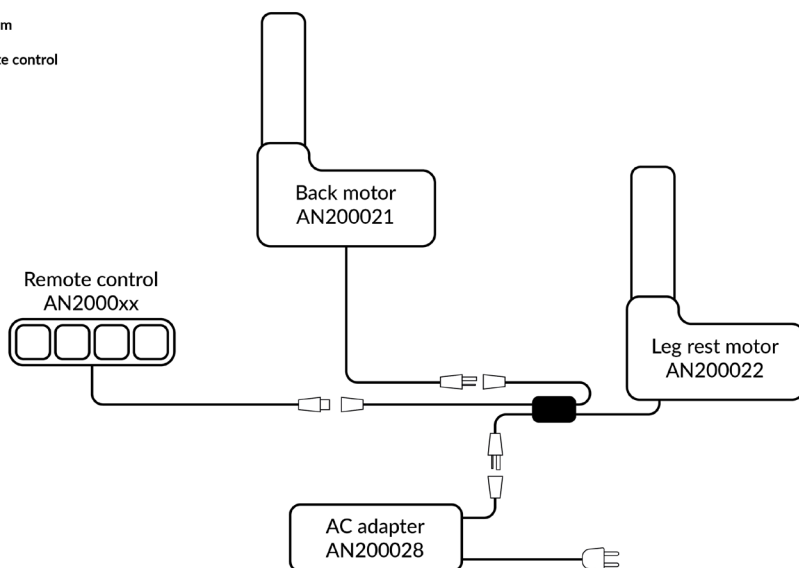
### Warning !

Use the motors for a maximum of 2 minutes with a rest period of 18 minutes after it for optimal service life of the electric adjustment mechanism.

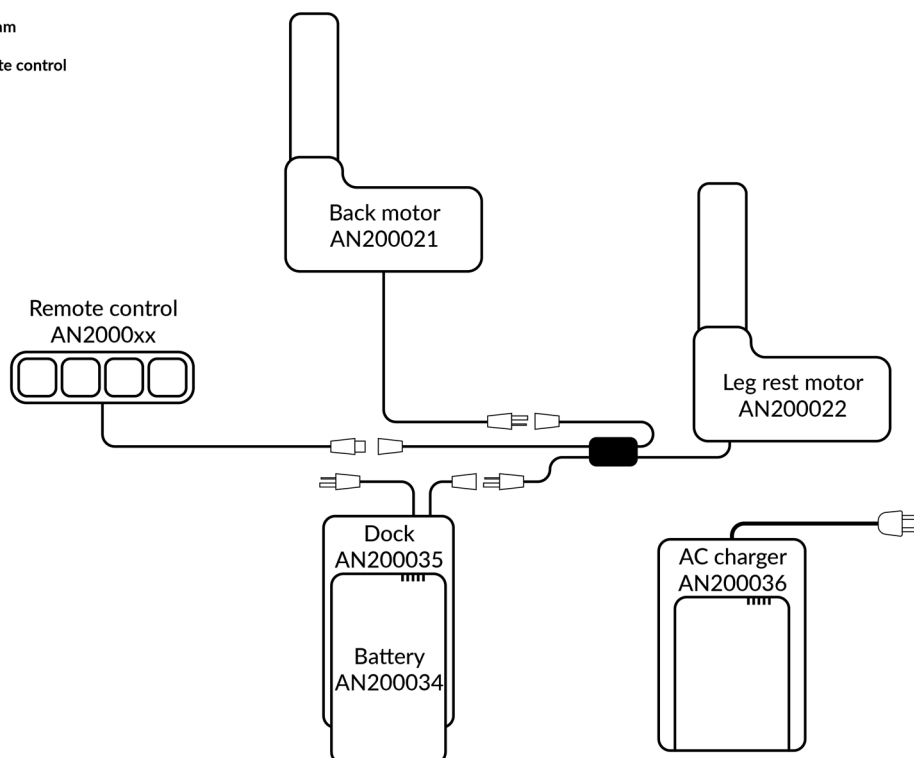
# RECLINING MECHANISMS

## EL | ELECTRICAL CONTROL WITH INTEGRATED REMOTE CONTROL

Ino  
Electric diagram  
Nov 2022  
Internal remote control  
AC



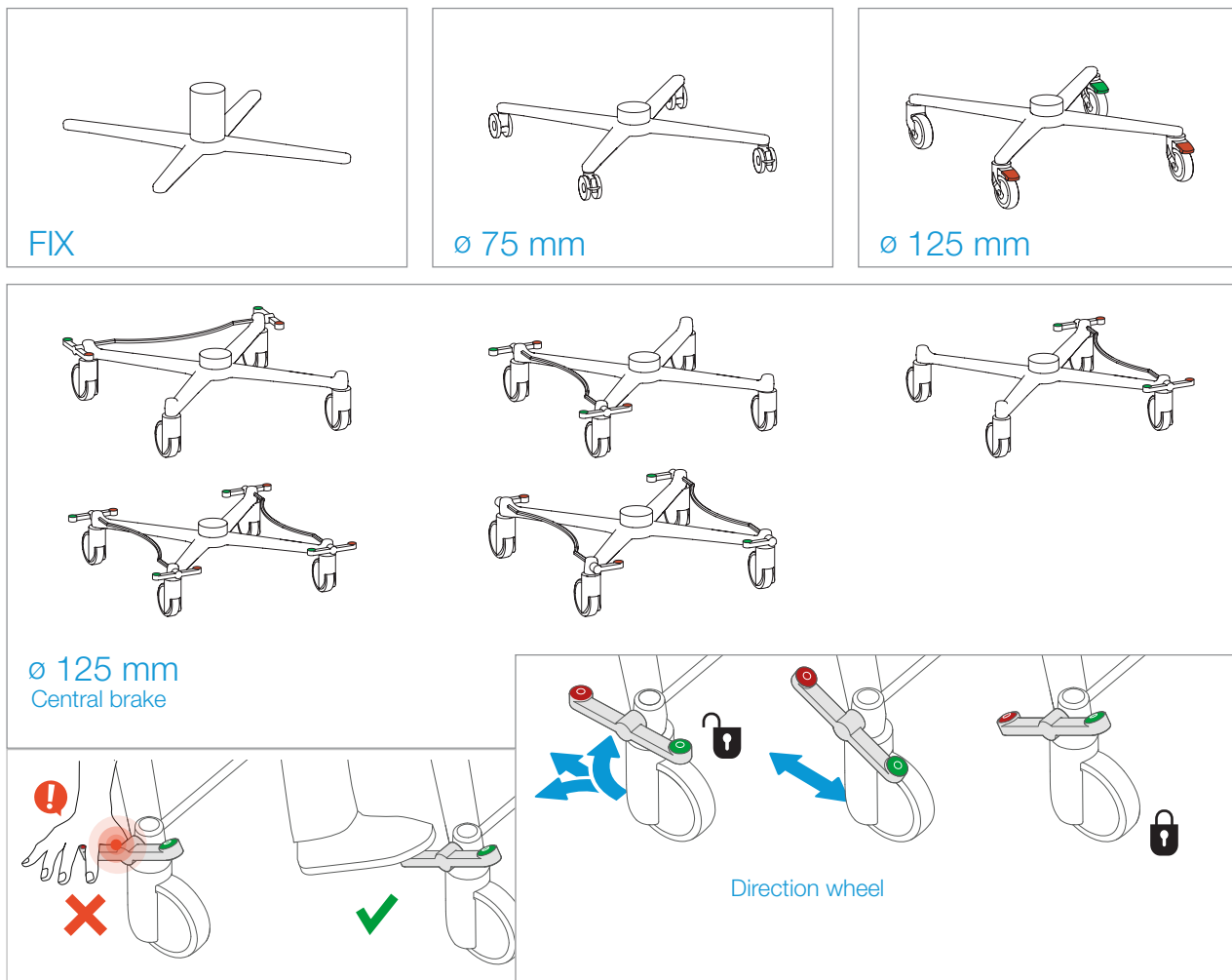
Ino  
Electric diagram  
Nov 2022  
Internal remote control  
Battery



### Warning !

Use the motors for a maximum of 2 minutes with a rest period of 18 minutes after it for optimal service life of the electric adjustment mechanism.

## CROSSED BASE



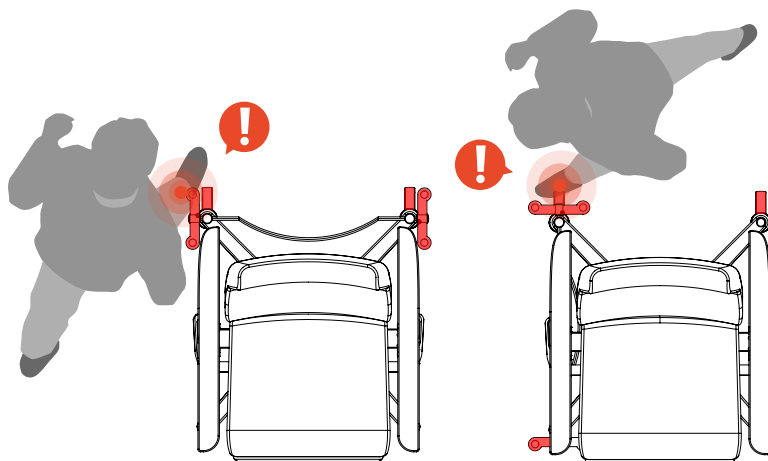
### Warning !

Always apply the brake when stationary to avoid any unexpected movement. Always operate the brake with your foot.



### Warning !

In braking or direction position, rear wheels protrude further, creating a tripping hazard.

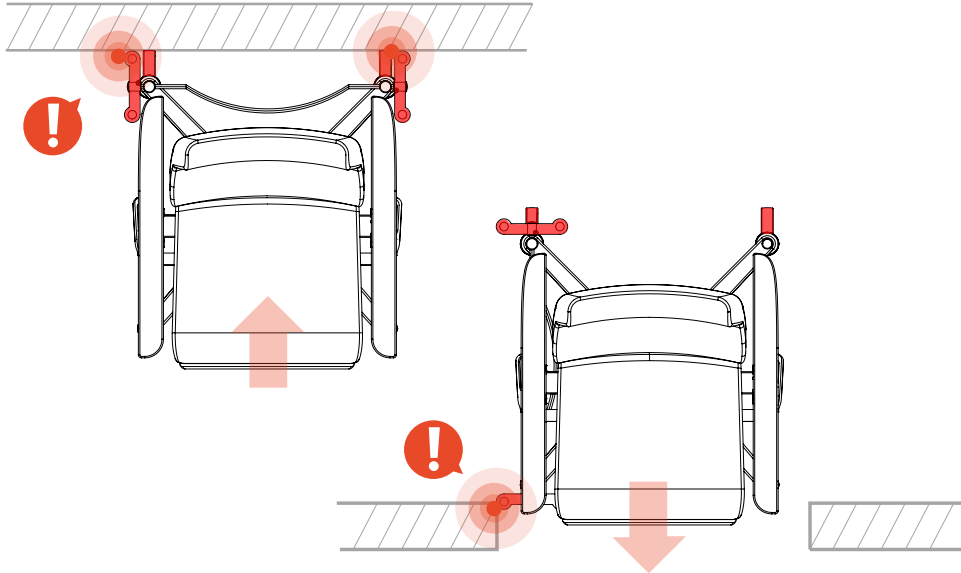


## CROSSED BASE



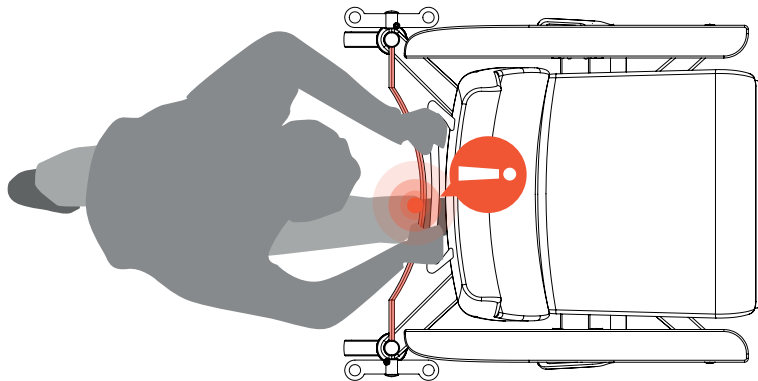
### Warning !

The pedals of the centrally braked systems protrude, creating a risk of tripping or interior damage due to stuttering.

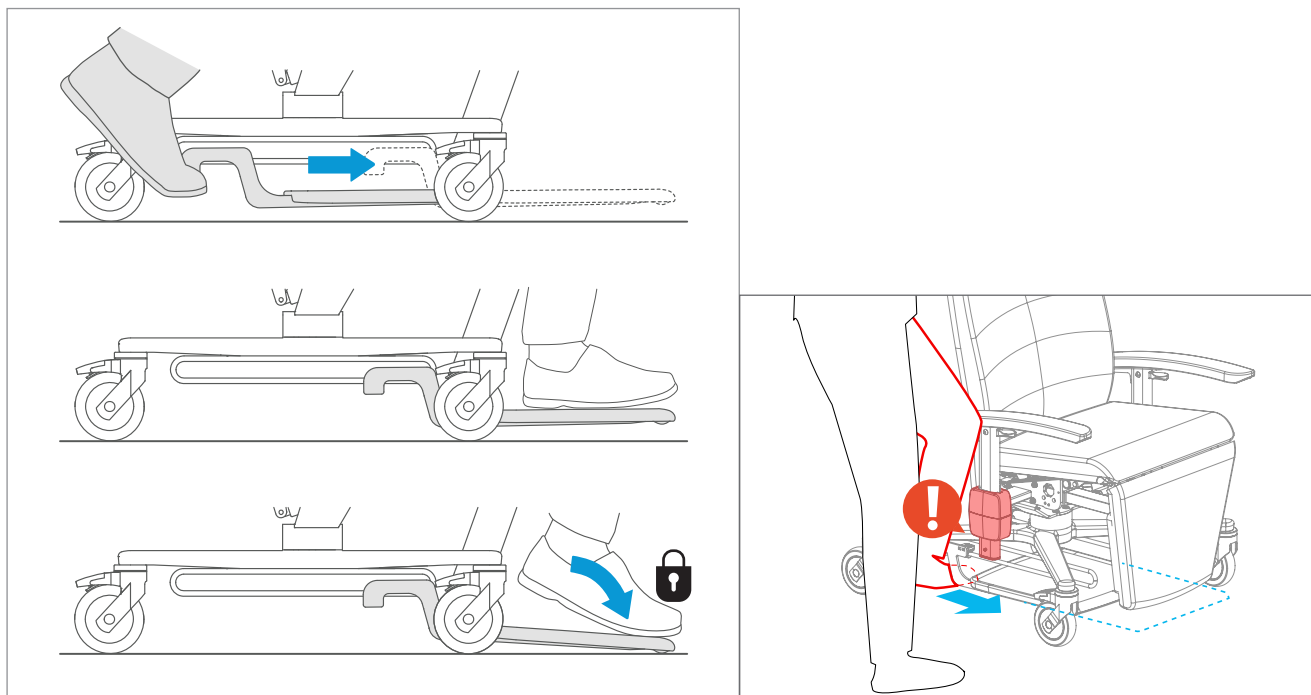


### Warning !

When pushing the care relax, pay Warning to the rod of the central brake system at the rear and the footrest.



## RETRACTABLE FOOTREST



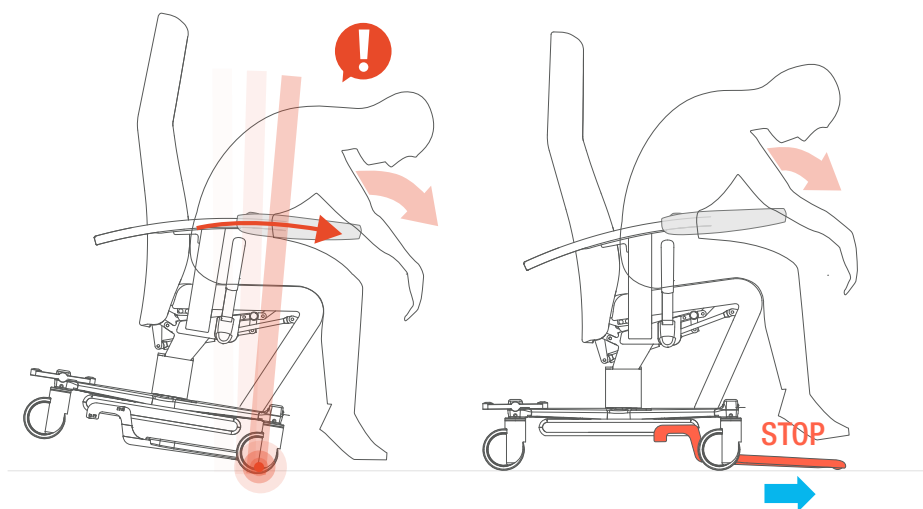
### Warning !

When extending the footrest, the leg can get caught on the handle and/or housing of the NS arm.



### Warning !

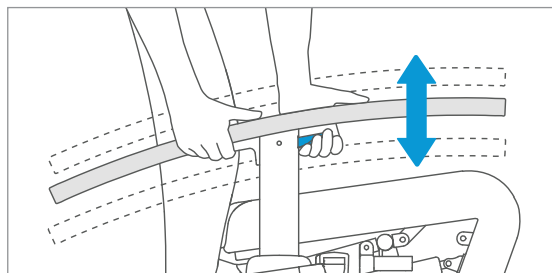
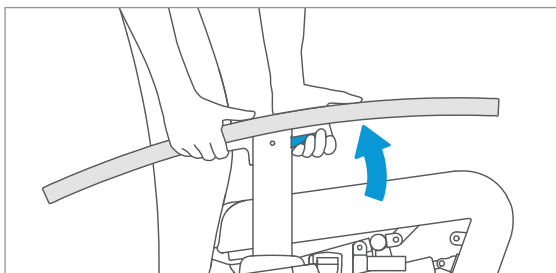
It is recommended for restless persons to extend the footrest when using the tablet. This prevents the seat from tilting forward.



## MANUAL TILTABLE HEADREST



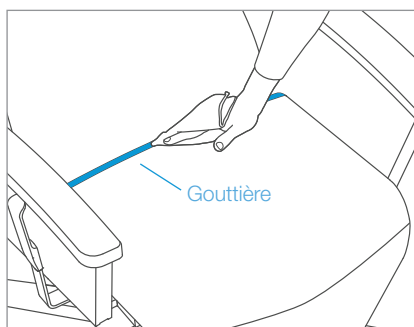
## ARMREST ADJUSTMENT



### Warning !

The armrest must always be adjusted by a third party, not the user. Never leave the user unattended when the NS arms are lowered.

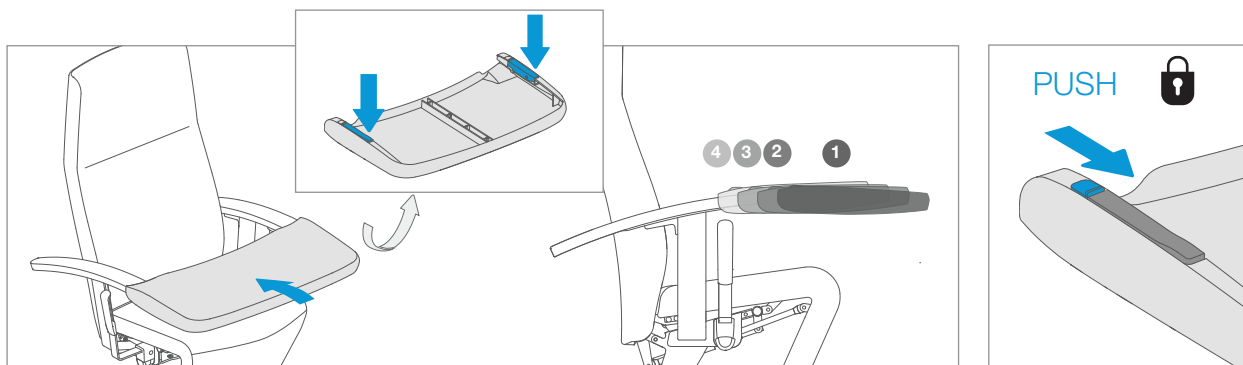
## MAINTENANCE



For maintenance instructions, we refer to the specific maintenance instructions for the chosen fabric.

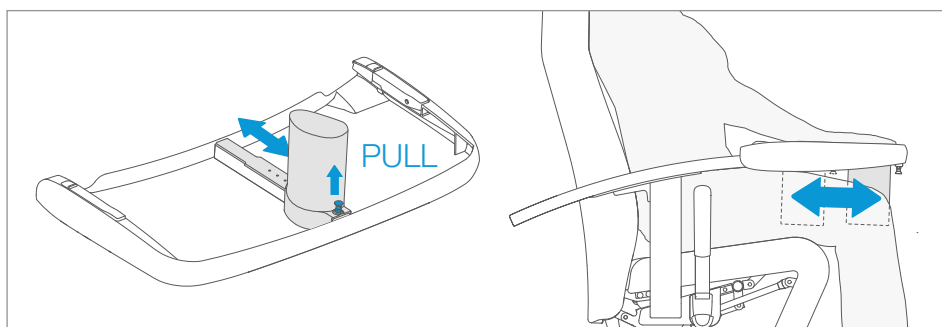
## OPTIONS & ACCESSORIES

### SYNTHETIC TRAY



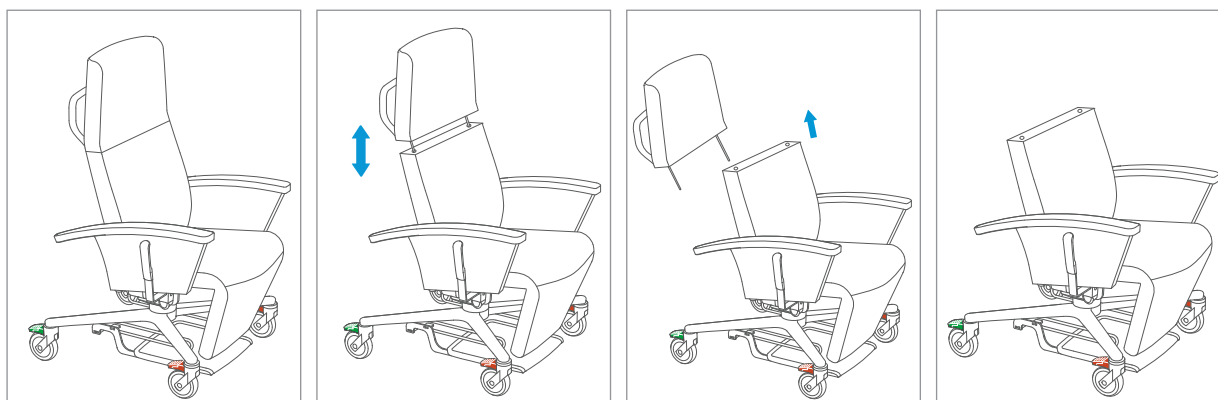
**Warning !**  
Do not use for fixation.

### SYNTHETIC TRAY WITH CROTCH POST



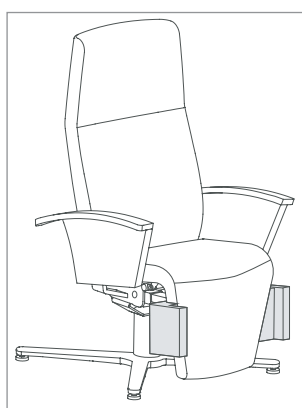
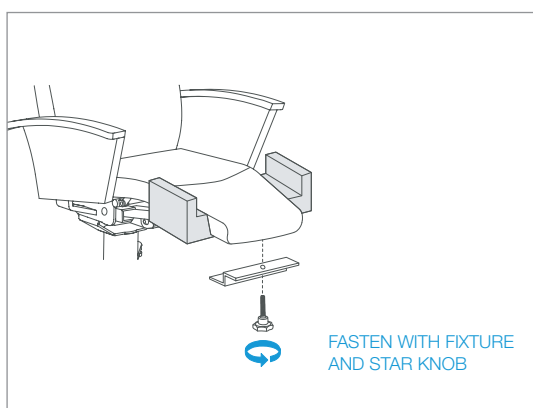
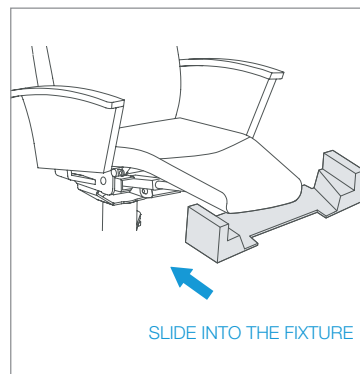
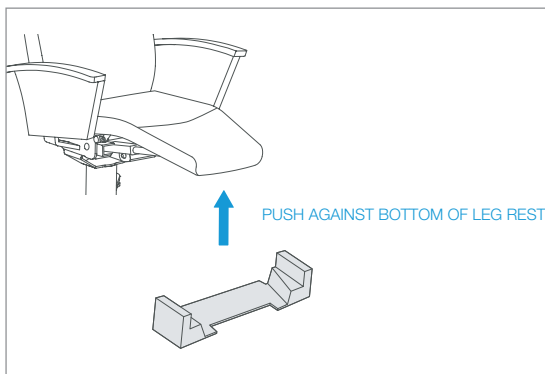
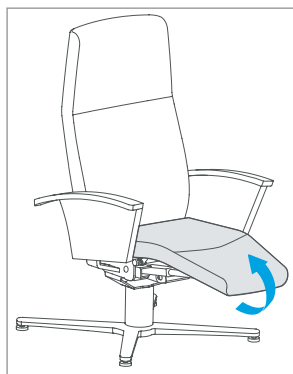
**Warning !**  
Always slide out the footrest and apply the brake when using the tray attachment. Do not use for fixation. Do not sit on the synthetic tray!

### REMOVABLE HEADBOARD

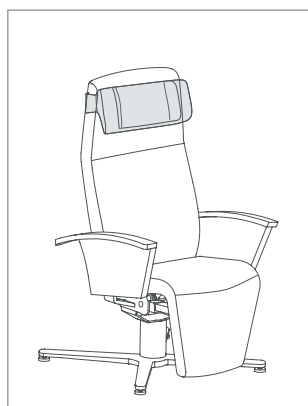
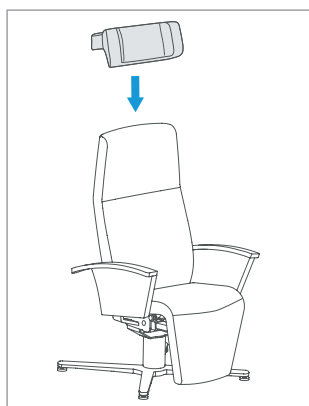


# OPTIONS & ACCESSORIES

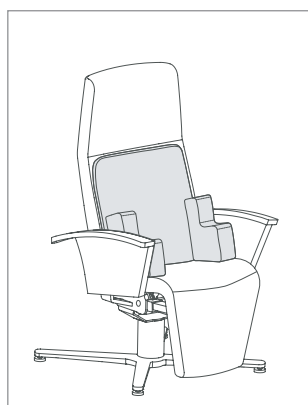
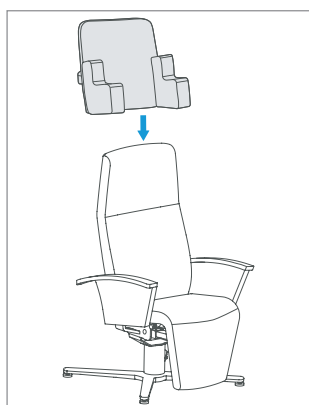
## NARROWING CUSHION



LEGREST



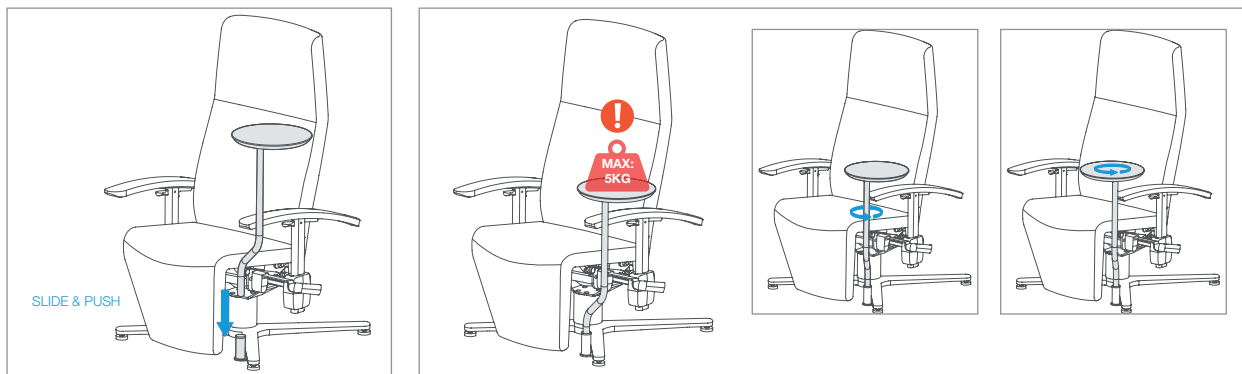
HEAD



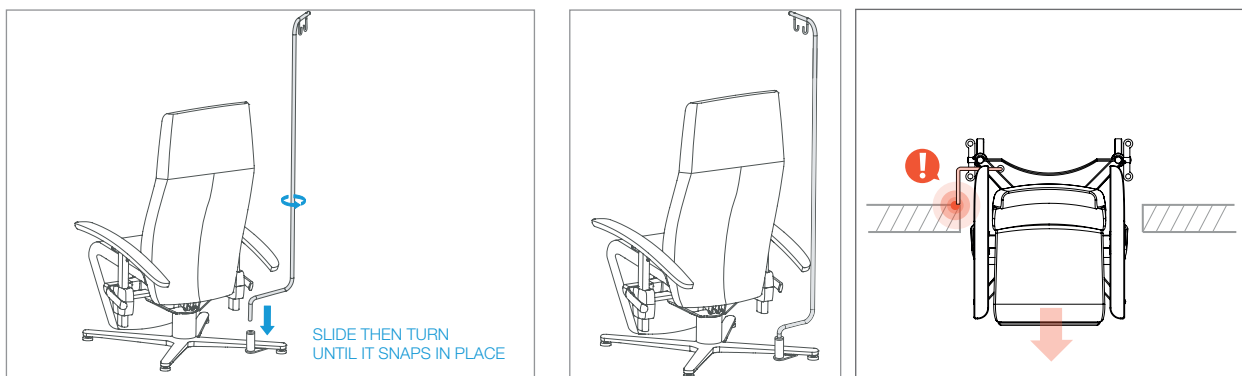
TORSO

# OPTIONS & ACCESSORIES

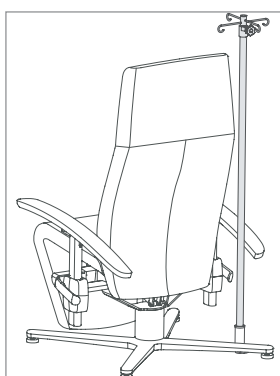
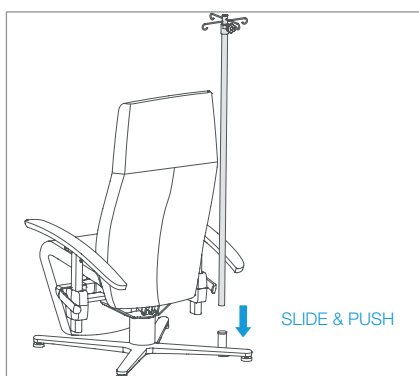
## COFFEE TABLE



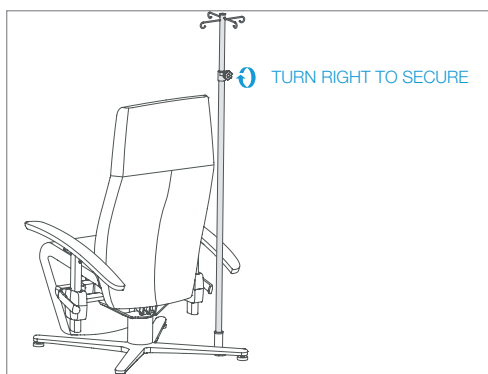
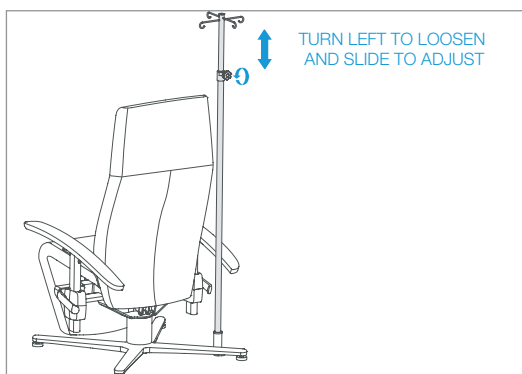
## FIXED SERUM HOLDER



## EXTENDIBLE SERUM HOLDER

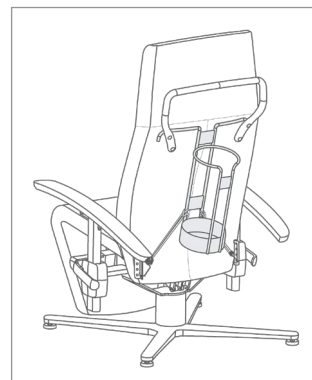
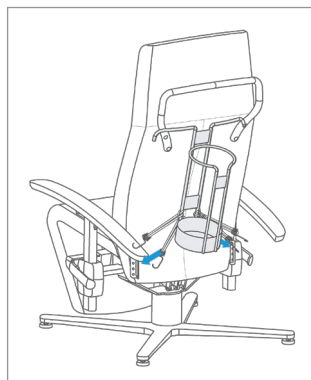
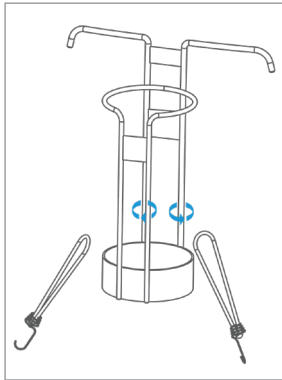


**Warning !**  
Hooks must always be above the head of the helper.

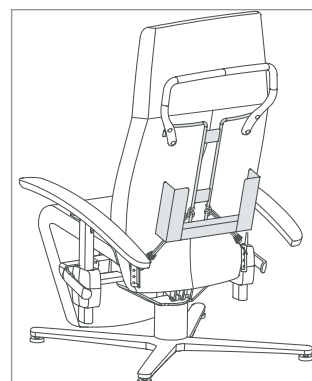
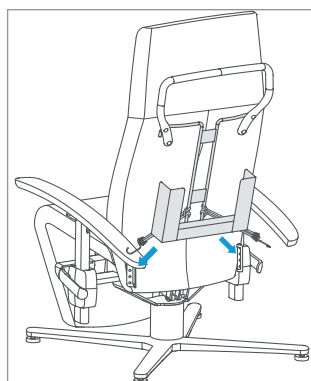
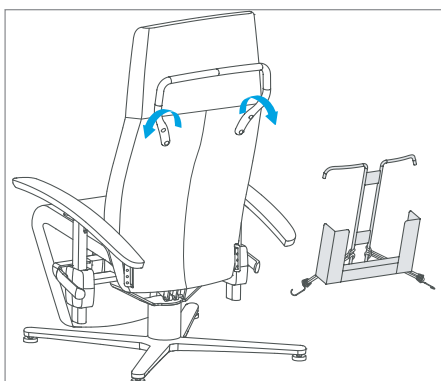
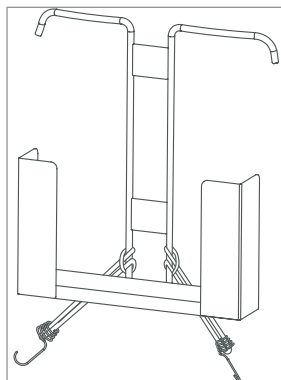
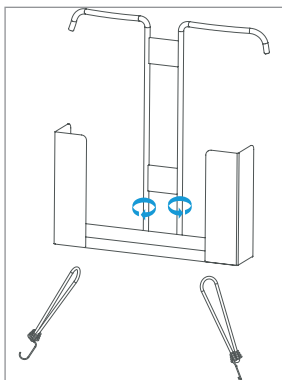


# OPTIONS & ACCESSORIES

## OXYGEN BOTTLE HOLDER

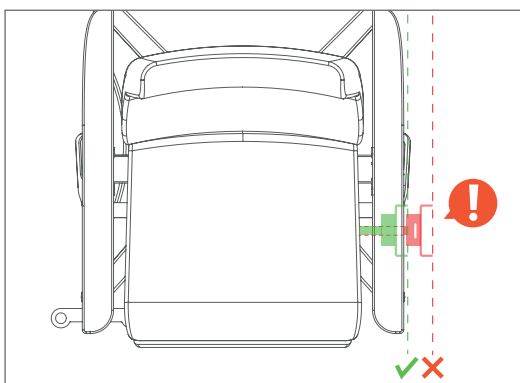
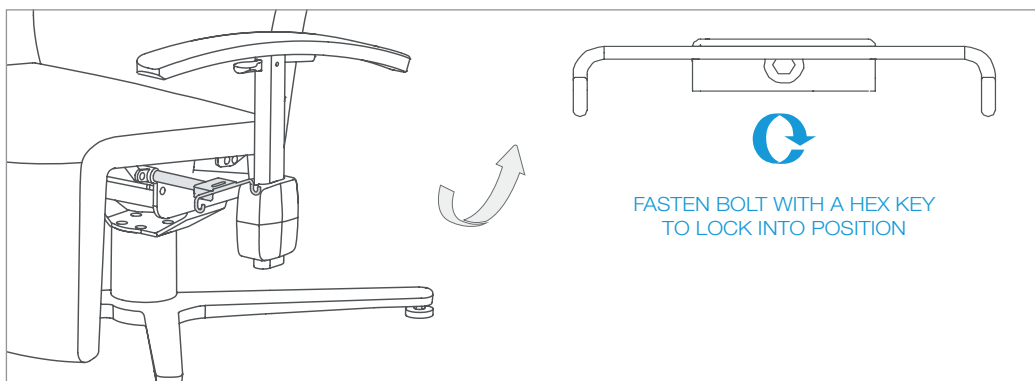
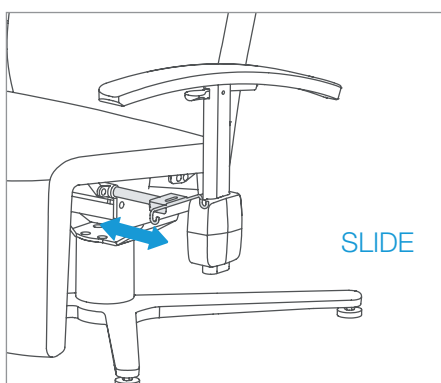
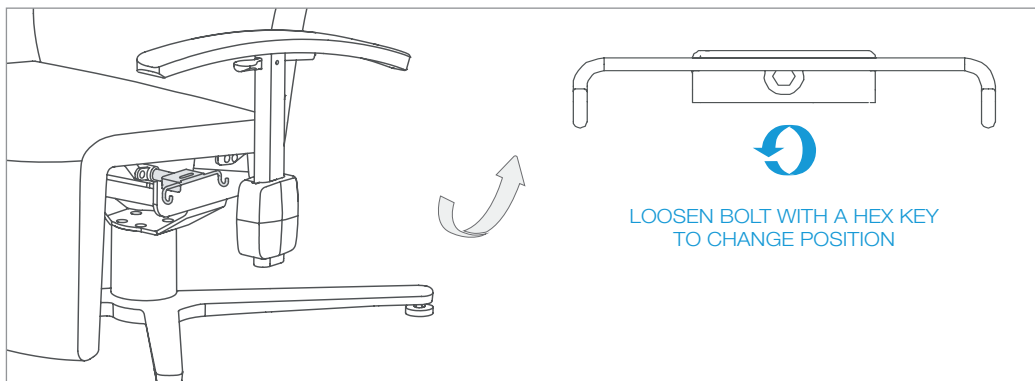


## TRAY ATTACHMENT



# OPTIONS & ACCESSORIES

## MULTIFUNCTIONAL (URINE) BAG HOLDER



### Warning !

Urine bag holder may not come outside of the seat.

## OPTIONS & ACCESSORIES

### MULTIFUNCTIONAL (URINE) BAG HOLDER



#### Warning !

Be vigilant when manipulating the leg support to avoid limb pinching between the leg support and the orthopaedic leg support.

### HANDBRAKE



#### Warning !

With a recliner where the hand brake option is installed, the positioning of the foot lever is reversed compared to recliner versions without hand brake. In the version with hand brake, activate the brake (red) by pushing the front part of the foot lever downwards. Activate the direction wheel (green) by pushing down the rear part of the foot lever.

# EG-DECLARATION OF CONFORMITY



Translation of original statement

## EC declaration of conformity

in accordance with Annex II.1.A of the Machinery Directive 2006/42/EC

### MOMENTS FURNITURE NV

**Deefakkerstraat 2  
8770 Ingelmunster  
Belgium**

We, MOMENTS FURNITURE NV, hereby declare that the machine, described as:

Trade description:	Relax seat
Function:	Automatically adjustable relax seat
Model / Type:	Relax – Laguna
Serial number:	VO-XXXXX

complies with all applicable provisions of the Machinery Directive 2006/42/EC, as last amended.

We also declare that the above machine complies with the applicable provisions of the EMC Directive 2014/30/EU, **as last amended**;

The following harmonised standards have been applied:

- **EN ISO 12100:2010:** Safety of machinery - General principles for design - Risk assessment and risk reduction

Authorised compiler of the technical file:

<i>Mr:</i>	<i>Joren De Temmerman</i>
<i>Function:</i>	<i>Senior product design engineer</i>
<i>Address:</i>	<i>Deefakkerstraat 2, B 8770 Ingelmunster</i>

Certificate of conformity for the Machinery Directive 2006/42/EC obtained from Vincotte with No. Z23-620-999-A

Name: : Peter Sarasyn

Location: Ingelmunster

Function: : CEO

Date: 13/3/2023

Signature:

A handwritten signature in blue ink, appearing to be 'P. Sarasyn', is written over a large, light blue circular scribble.





---

**Moments Furniture**

Deefakkerstraat 2  
8870 Ingelmunster  
Belgium  
T +32 51 489 258

---

**W2 Moments**

Edisonstraat 25  
4004 JL Tiel  
The Netherlands  
T +31 344 619 844

---

**Moments Furniture France**

130, Boulevard de la Liberté  
59000 Lille  
France  
T +33 320 545 019

---

**FMB Care**

Am Shlinge 8  
33154 Salzkotten  
Germany  
T +49 525 898 090 0

---

**FMB Care.nl**

Edisonstraat 25  
4004 JL Tiel  
The Netherlands  
T +31 344 619 844

---

**Moments Furniture Switzerland**

Chemin du croset 9  
1024 Ecublens  
Switzerland  
T +41 21 697 05 05

