

Luna



Coffee table \

A sturdy coffee table that is also available in various combinations in the form of tabletop and floor plate. Choose the coffee table that ideally fits the interior and is suitable for the situation.

What makes the coffee table Luna so unique? \

- \ \ Verschillende vormen voor tafelblad en vloerplaat
- \ \ Extreme stabiliteit

Subject to change without notice, latest update 2023-06, all images shown are for illustration purposes only

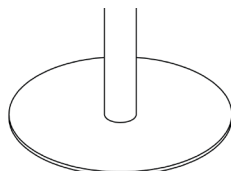
TABLE LEG

Round steel column, black epoxy coated.

Dimensions according to table top size: Ø50 mm with wall thickness 2 mm for table tops Ø40 cm and Ø50 cm. Table tops with sizes Ø80 cm or 80x80 cm have a table leg Ø80 mm with wall thickness 2 mm.

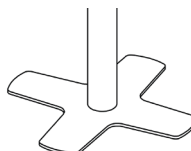
FLOOR PLATE

ROUND FLOOR PLATE



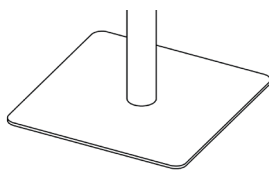
Black steel, epoxy coated. Fitted with felt floor protectors. Dimensions and thickness according to tabletop: thickness 6 mm and Ø35 cm for tabletops up to Ø50 cm. Thickness 8 mm and Ø52 cm for tabletops larger than Ø50 cm or 80x80 cm.

CROSS-SHAPED FLOOR PLATE



Black steel, epoxy-coated, 8 mm thick. Fitted with felt floor protectors. Dimensions: 52x52 cm for tabletops from 80x80 cm.

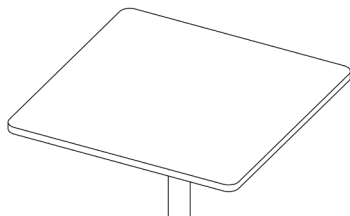
SQUARE FLOOR PLATE



Black steel, epoxy-coated, 8 mm thick. Square with rounded corners with radius 30 mm. Fitted with felt floor protectors. Dimensions: 52x52 cm for tabletops from 80x80 cm.

TABLETOP

SQUARE TABLETOP



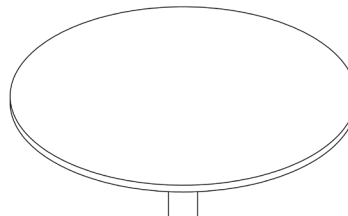
Tabletop type Chipboard

Tabletop thickness 20 mm

Tabletop structure Tabletop in HPL. Core in chipboard with white coating at the bottom. Matching edgebanding in rounded ABS.

Corners Table top with 4 right angles with radius 40 mm.

ROUND TABLETOP



Tabletop type Chipboard

Tabletop thickness 20 mm

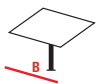
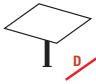





Tabletop structure Tabletop in HPL. Core in chipboard with white coating at the bottom. Matching edgebanding in rounded ABS.

Subject to change without notice, latest update 2023-06, all images shown are for illustration purposes only

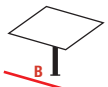
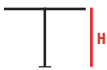




TABLE CONSTRUCTION

The central column leg is screwed to the tabletop via a metal top plate. The top plate is made of black epoxy-coated steel, Ø16 cm and 4 mm thickness for table tops up to Ø50 cm and Ø45 cm and 6 mm thickness for table tops from Ø50 cm and 80x80 cm. The top plate is bolted to the column leg and screwed to the underside of the table top. Supported on the floor on a metal floor plate (round, square or cross-shaped), also attached via bolts to the column.

DIMENSIONS

TYPE							
Astro	80	80	50	48	25-35	yes	★ ★ ★

★ = domestic use / ★ ★ = project-based use / ★ ★ ★ = intensive project-based use
Standard dimensions, custom dimensions possible upon request

						
Astro	Ø40	50	48	8	yes	★ ★ ★
	Ø50	50	48	9	yes	★ ★ ★
	Ø90	50	48	25-35	yes	★ ★ ★

★ = domestic use / ★ ★ = project-based use / ★ ★ ★ = intensive project-based use
Standard dimensions, custom dimensions possible upon request

Subject to change without notice, latest update 2023-06, all images shown are for illustration purposes only